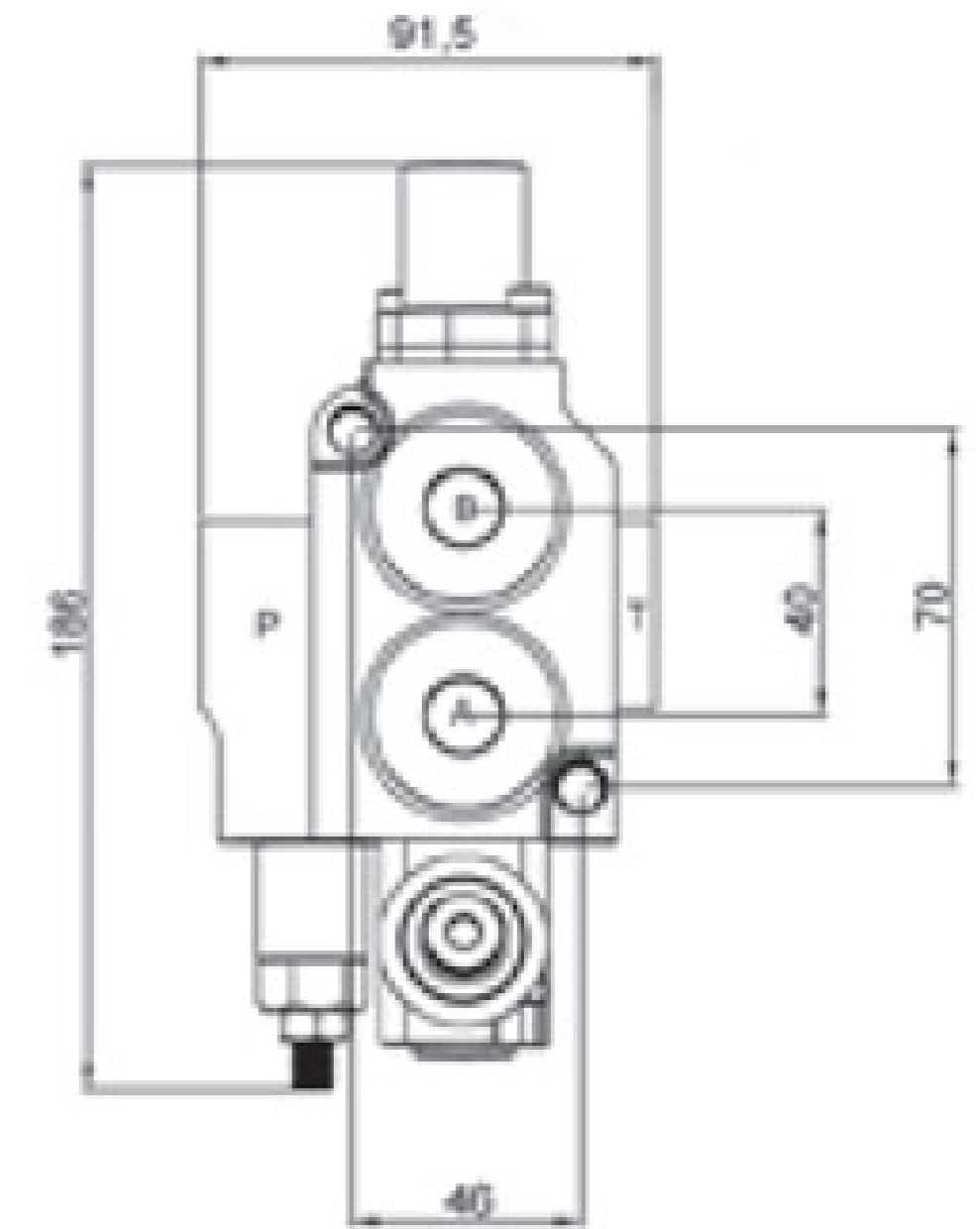
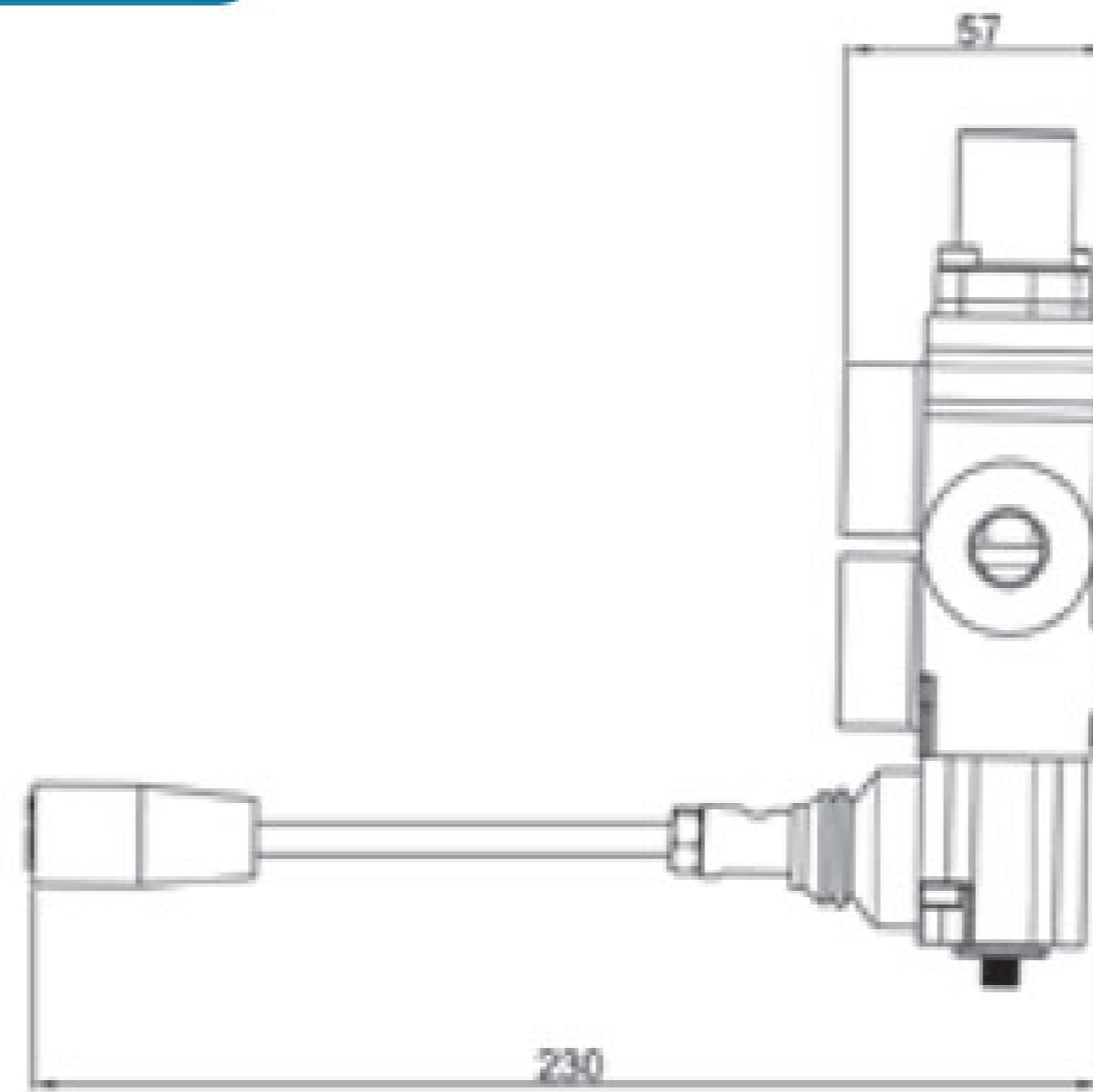




DIRECTION CONTROL VALVE

1 C 040 M

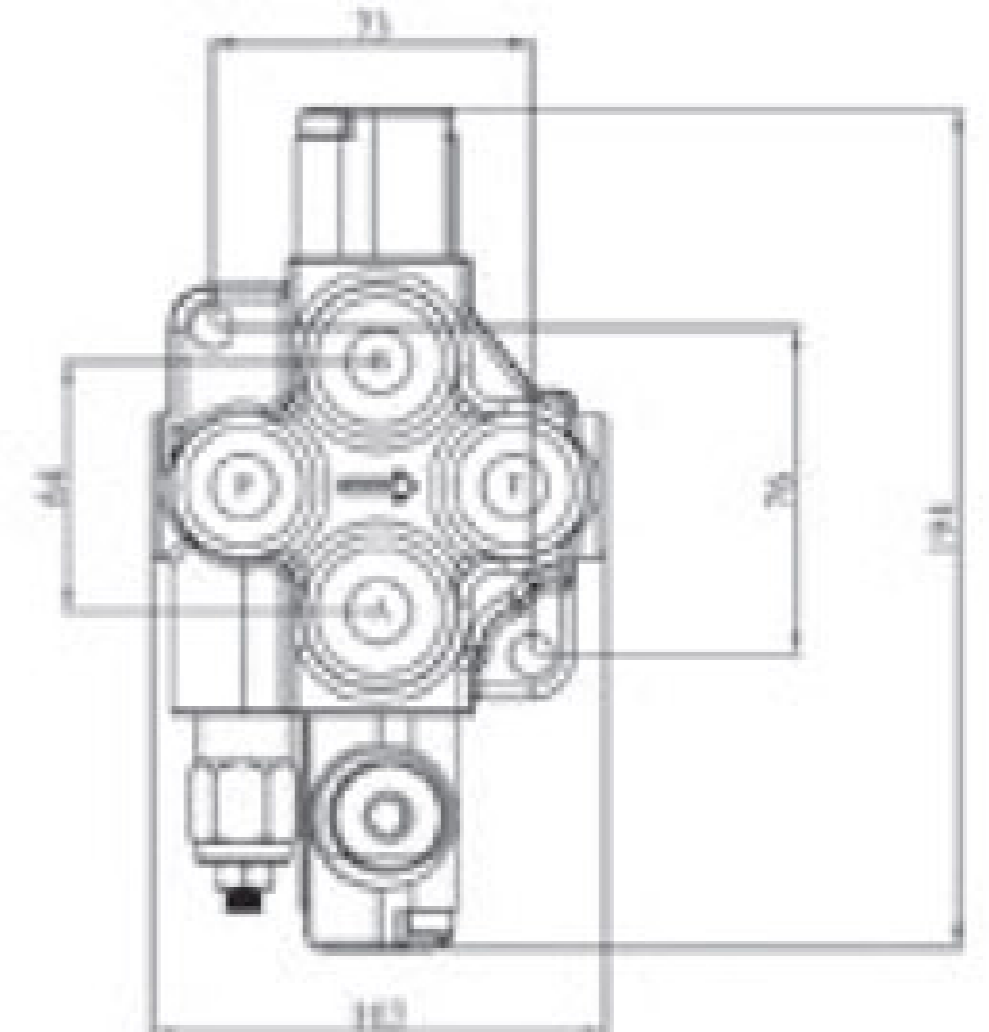
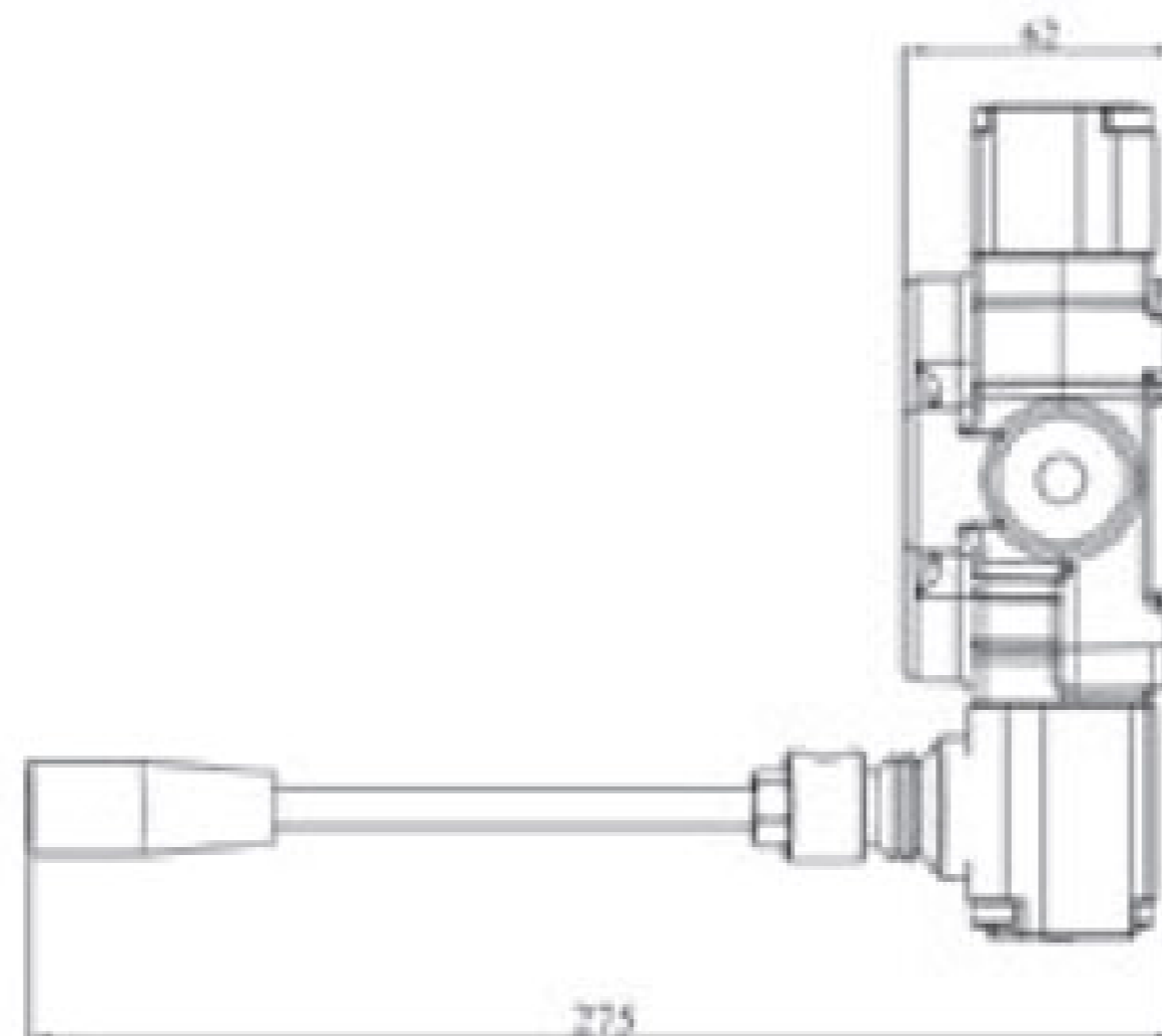


Product Code	1 C 040 M
Section	1
Displacement	40 lt./min
Maximum Working Pressure	320
Maximum Ret. Back Pressure	25
Recommended Oil Filter	Max 30 Micron
Kg.	2,162

Standart		
P	A-B	T
3/8"	3/8"	3/8"
1/2"	1/2"	1/2"

Parallel & Series Circuit - Adjustable
Direct Operated Relief Valve - Single /
Load Hold Check Valve in Each Section /
Double Action

1 C 045 M

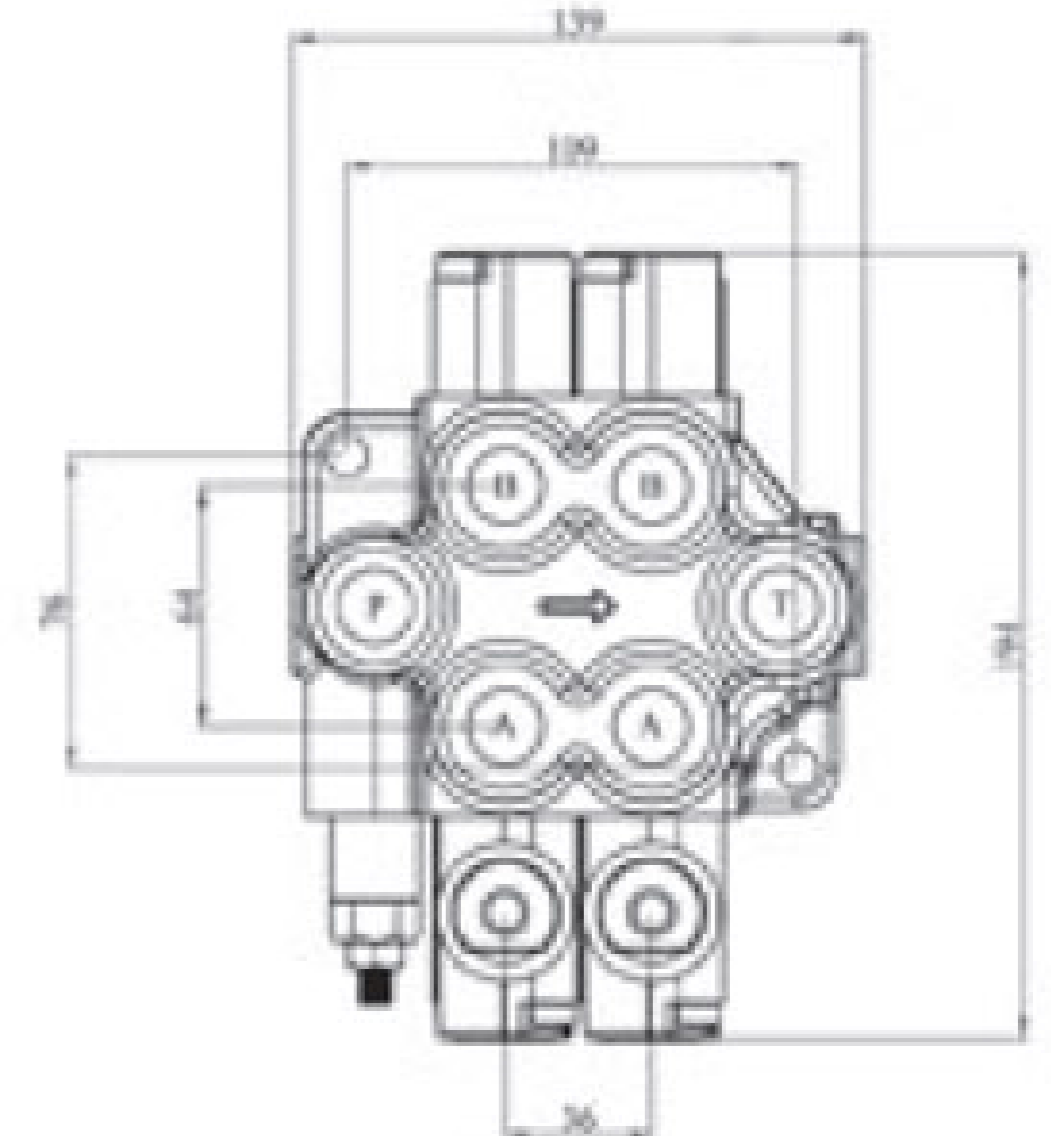
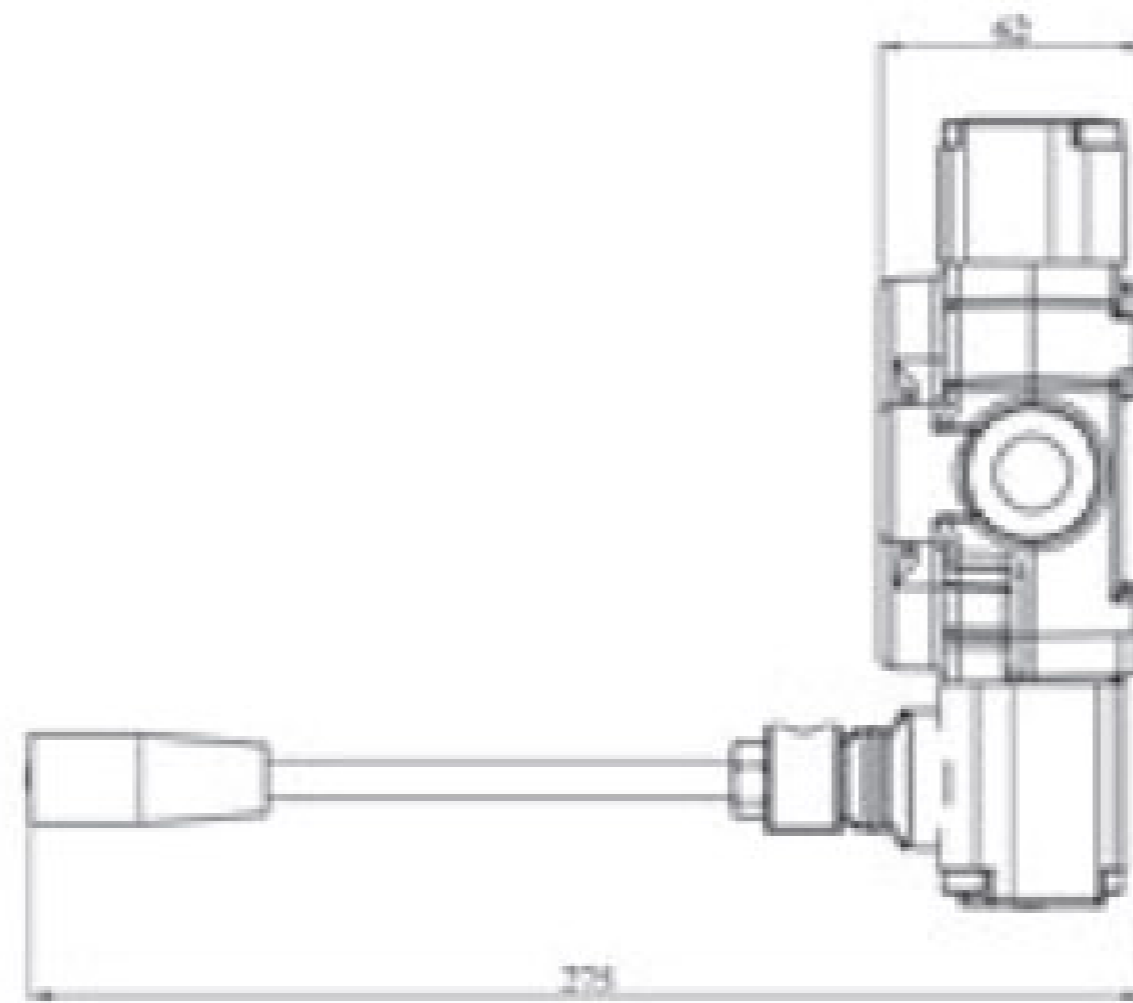


Product Code	1 C 045 M
Section	1
Displacement	45 lt./min
Maximum Working Pressure	320
Maximum Ret. Back Pressure	25
Recommended Oil Filter	Max 30 Micron
Kg.	3,15

Standart		
P	A-B	T
3/8"	3/8"	1/2"
1/2"	1/2"	1/2"

Parallel & Series Circuit - Adjustable
Direct Operated Relief Valve - Single /
Load Hold Check Valve in Each Section /
Double Action / Carry Over

2 C 045 M

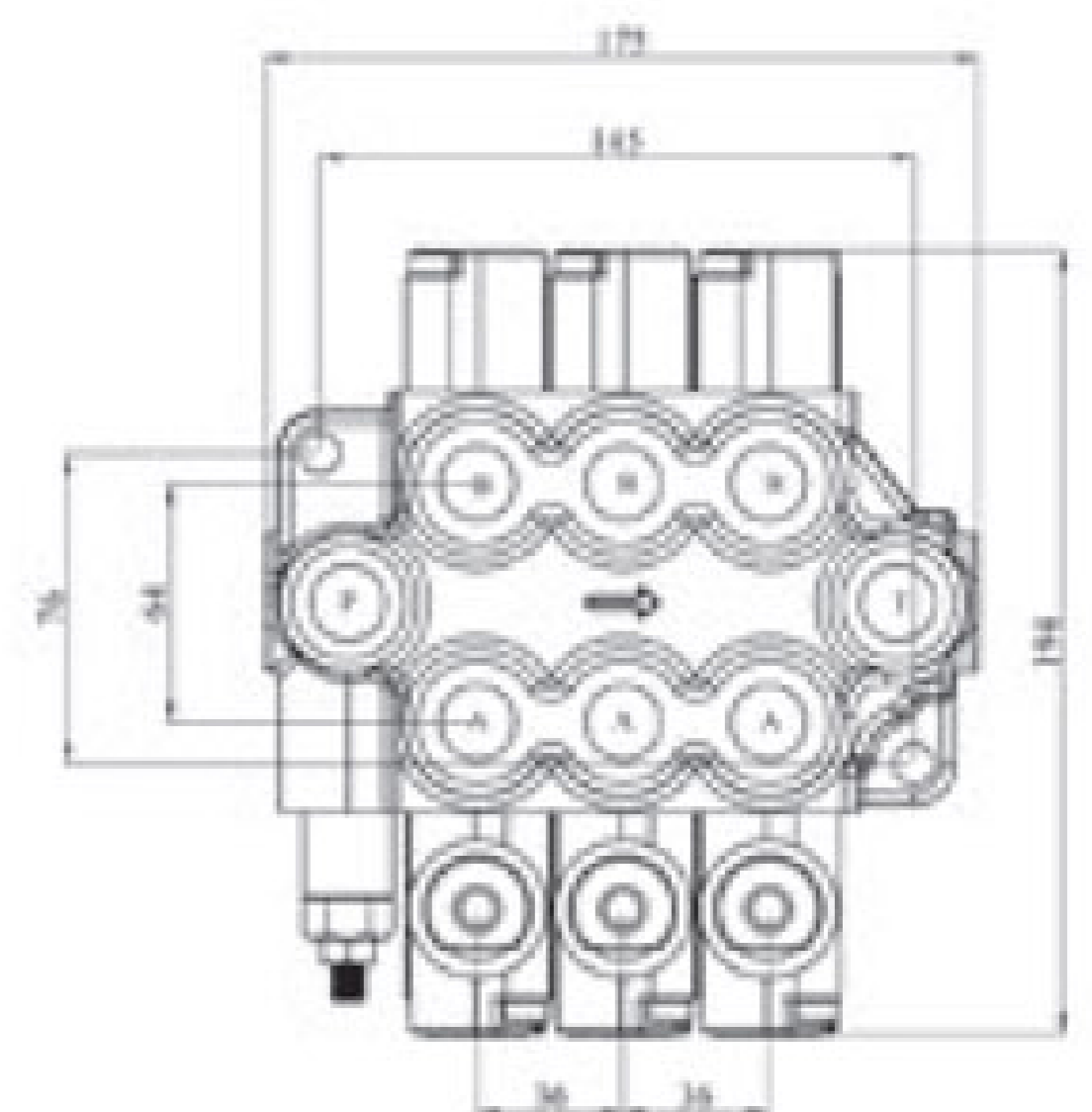
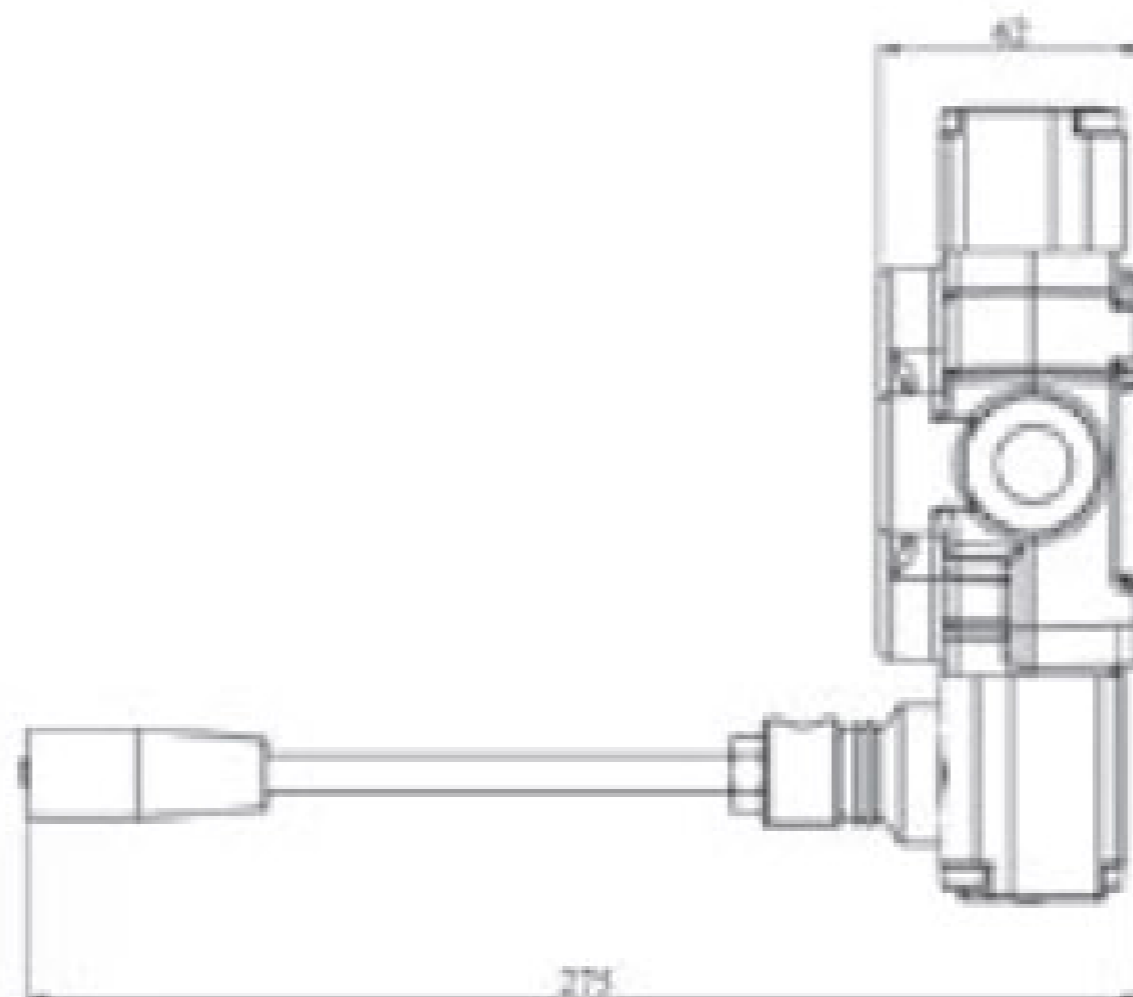


Product Code	2 C 045 M
Section	2
Displacement	40 Lt./min
Maximum Working Pressure	320
Maximum Ret. Back Pressure	25
Recommended Oil Filter	Max 30 Micron
Kg.	4,9

Standart		
P	A-B	T
3/8"	3/8"	1/2"
1/2"	1/2"	1/2"

Parallel & Series Circuit - Adjustable
Direct Operated Relief Valve - Single /
Load Hold Check Valve in Each Section /
Double Action / Carry Over

3 C 045 M

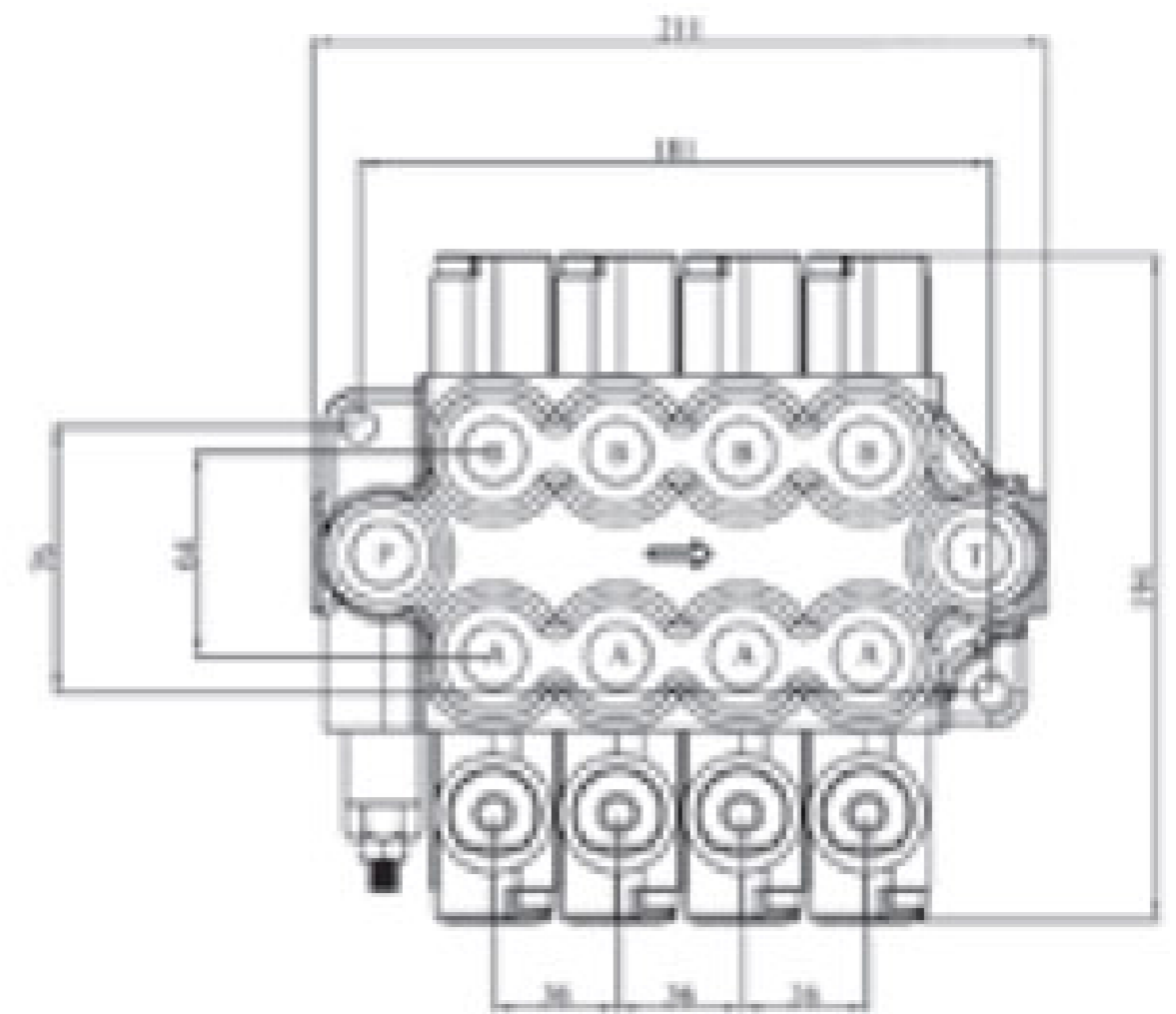
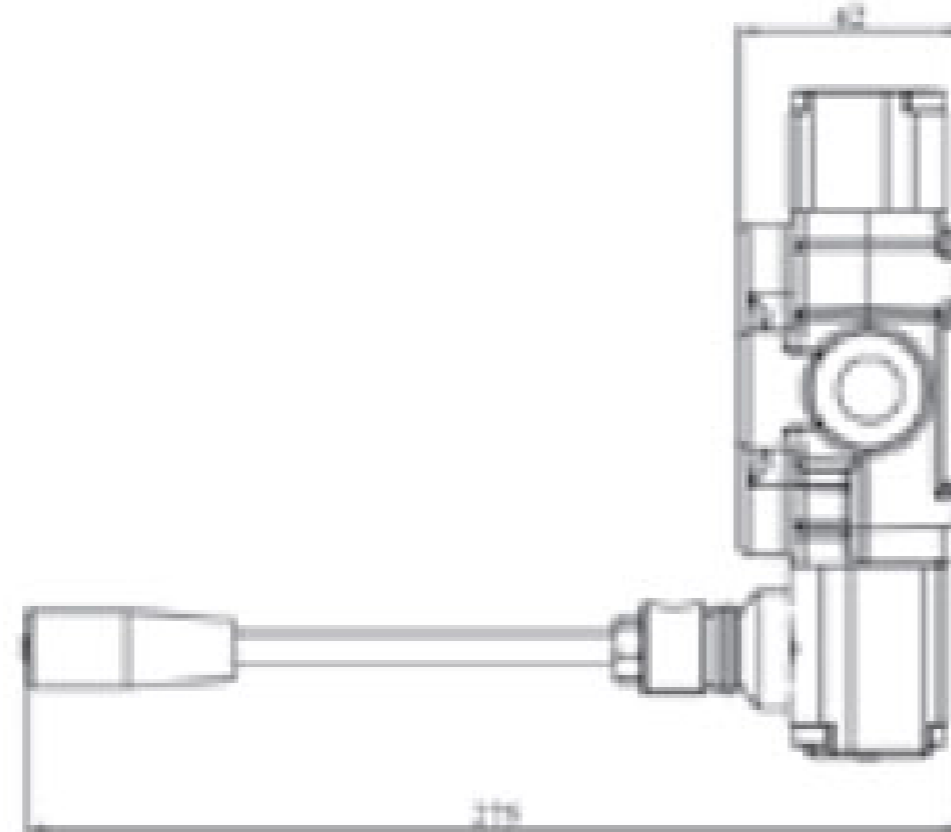


Product Code	3 C 045 M
Section	3
Displacement	45 Lt./min
Maximum Working Pressure	320
Maximum Ret. Back Pressure	25
Recommended Oil Filter	Max 30 Micron
Kg.	6,65

Standart		
P	A-B	T
3/8"	3/8"	1/2"
1/2"	1/2"	1/2"

Parallel & Series Circuit - Adjustable
Direct Operated Relief Valve - Single /
Load Hold Check Valve in Each Section /
Double Action / Carry Over

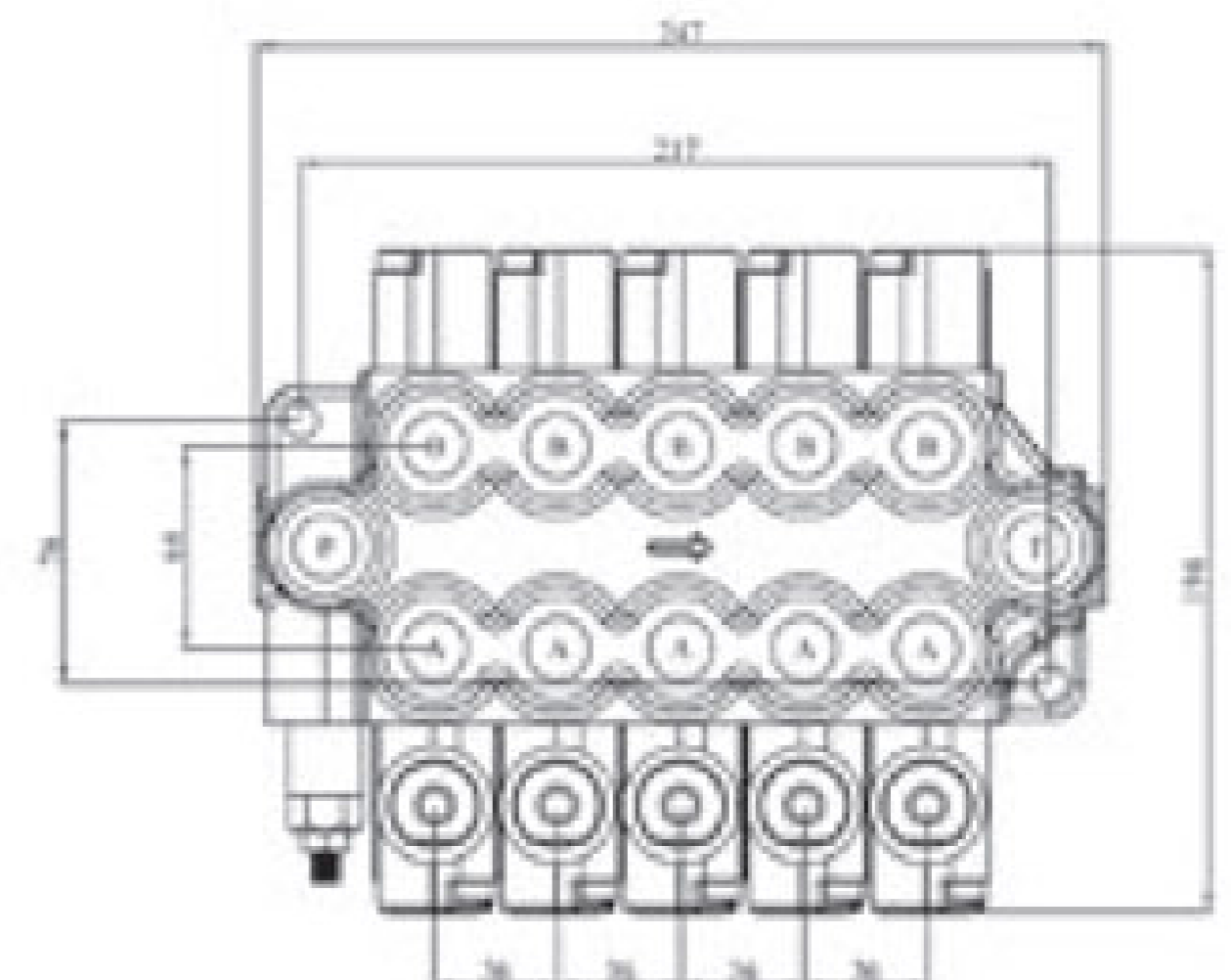
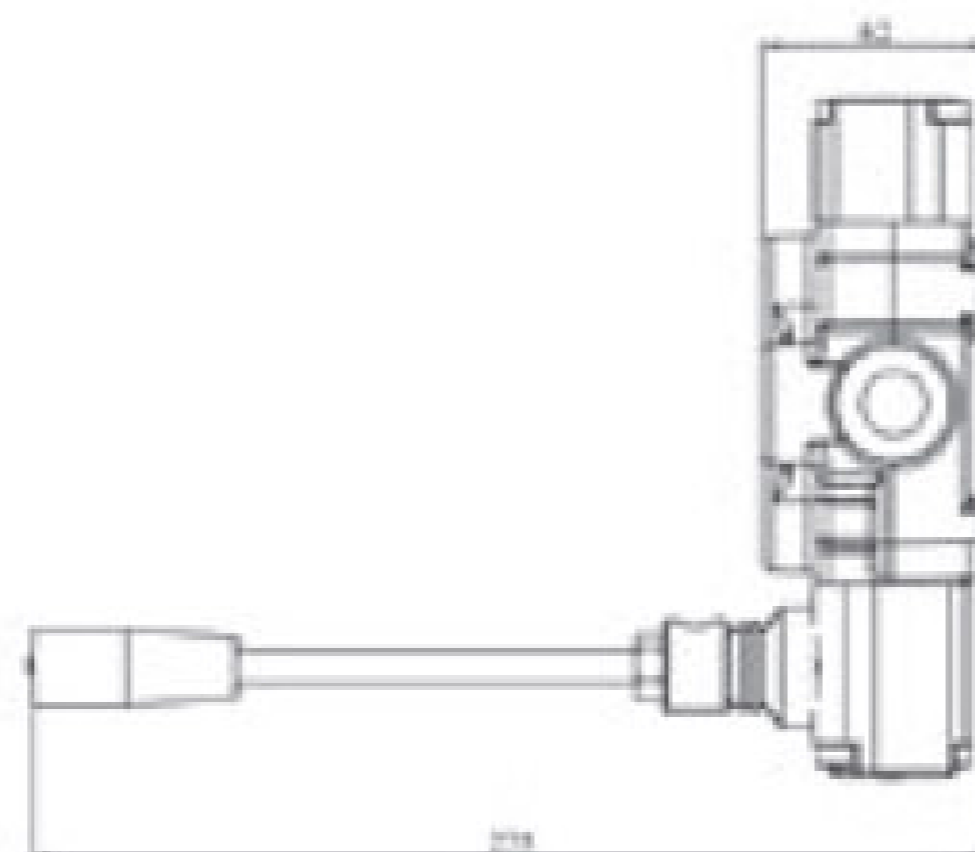
4 C 045 M



Product Code	4 C 045 M	Standart		
Section	4	P	A-B	T
Displacement	45 lt./min	3/8"	3/8"	1/2"
Maximum Working Pressure	320	1/2"	1/2"	1/2"
Maximum Ret. Back Pressure	25			
Recommended Oil Filter	Max 30 Micron			
Kg.	8,4			

Parallel & Series Circuit - Adjustable
Direct Operated Relief Valve - Single /
Load Hold Check Valve in Each Section /
Double Action / Carry Over

5 C 045 M

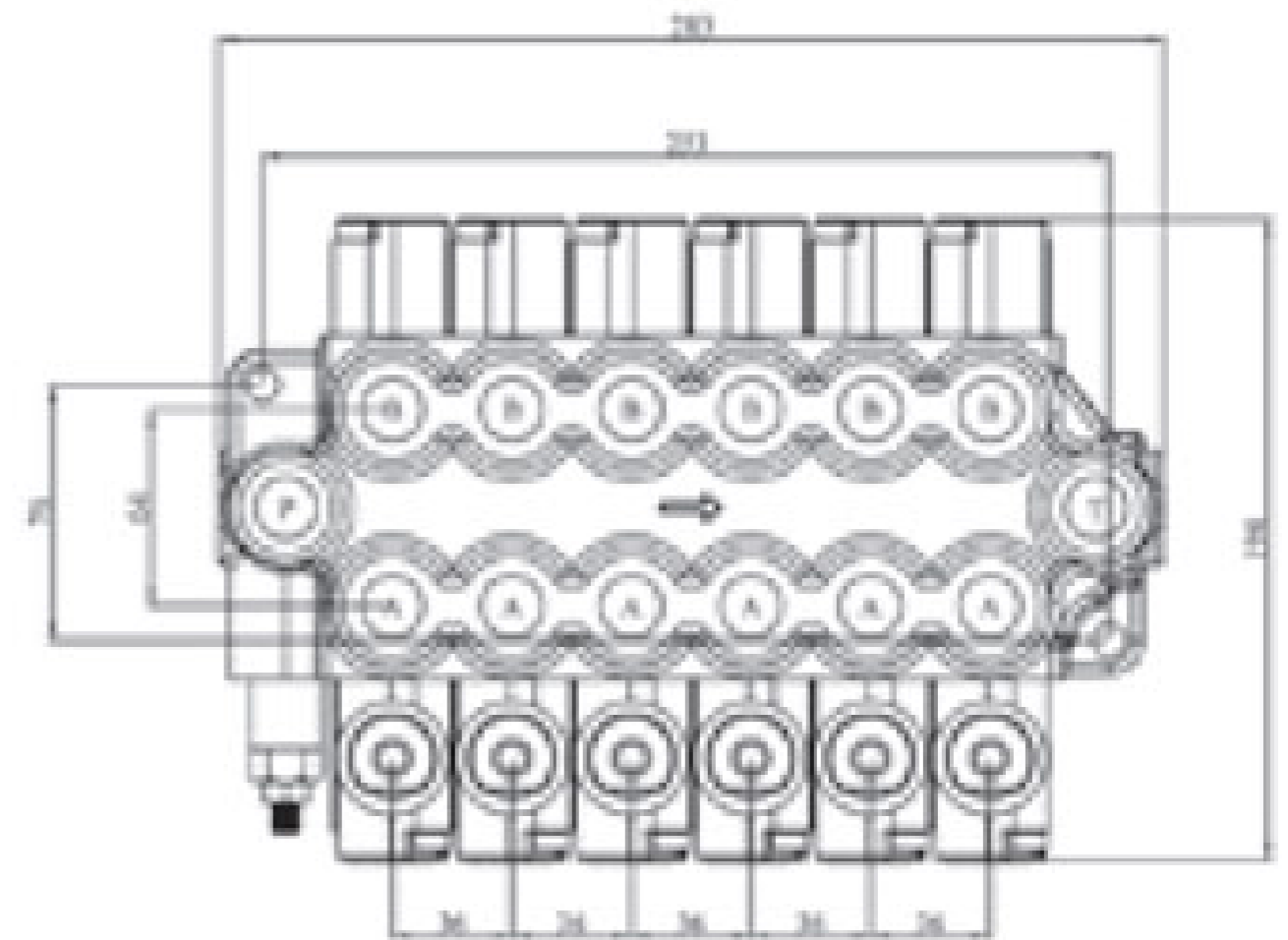
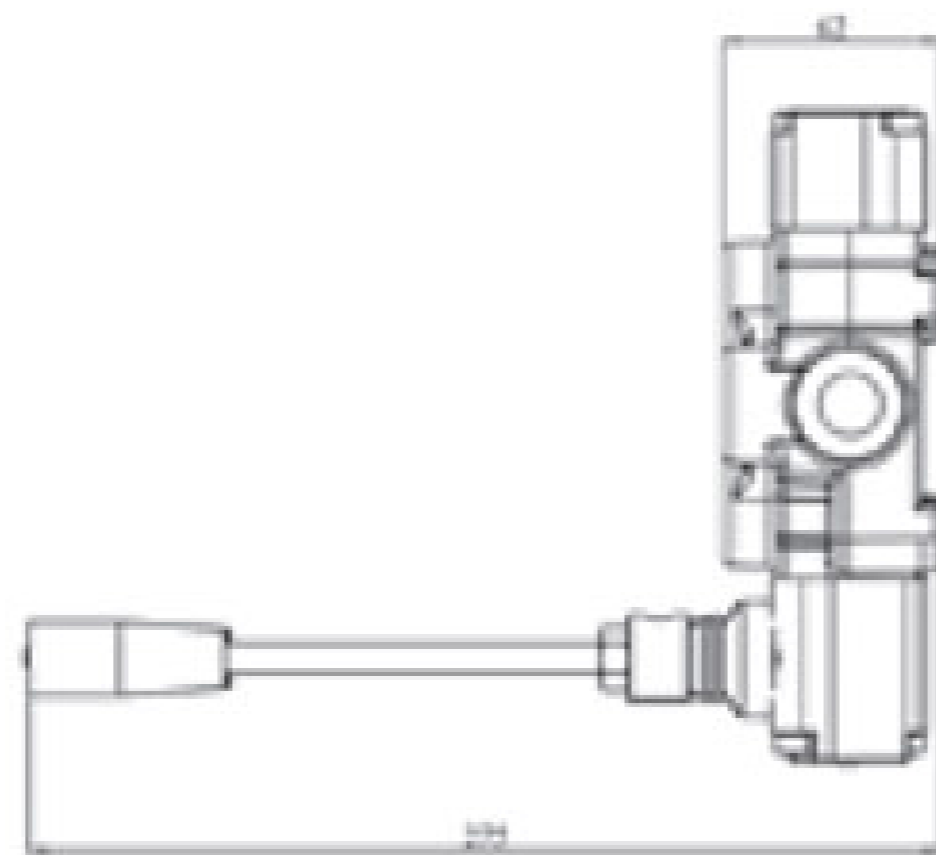


Product Code	5 C 045 M	Standart		
Section	5	P	A-B	T
Displacement	45 lt./min	3/8"	3/8"	1/2"
Maximum Working Pressure	320	1/2"	1/2"	1/2"
Maximum Ret. Back Pressure	25			
Recommended Oil Filter	Max 30 Micron			
Kg.	10,15			

Parallel & Series Circuit - Adjustable
Direct Operated Relief Valve - Single /
Load Hold Check Valve in Each Section /
Double Action / Carry Over

EKPART HYDRAULIC VALVE

6 C 045 M

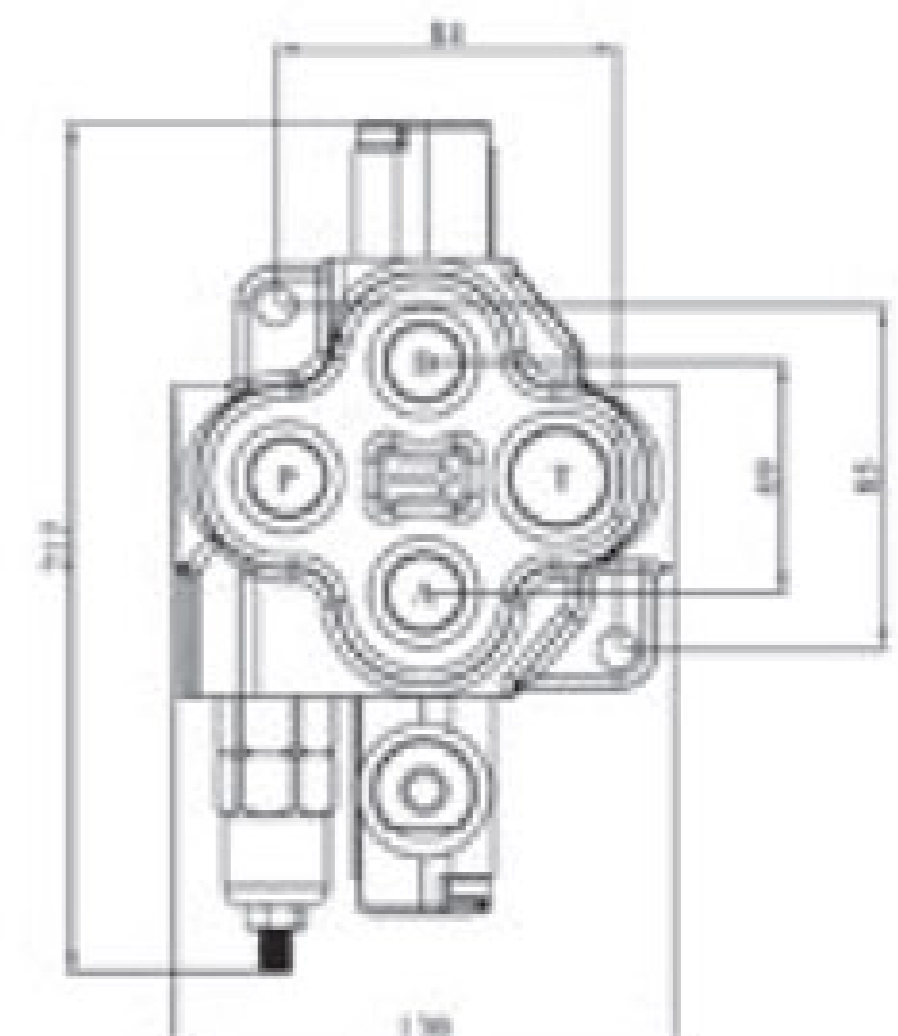
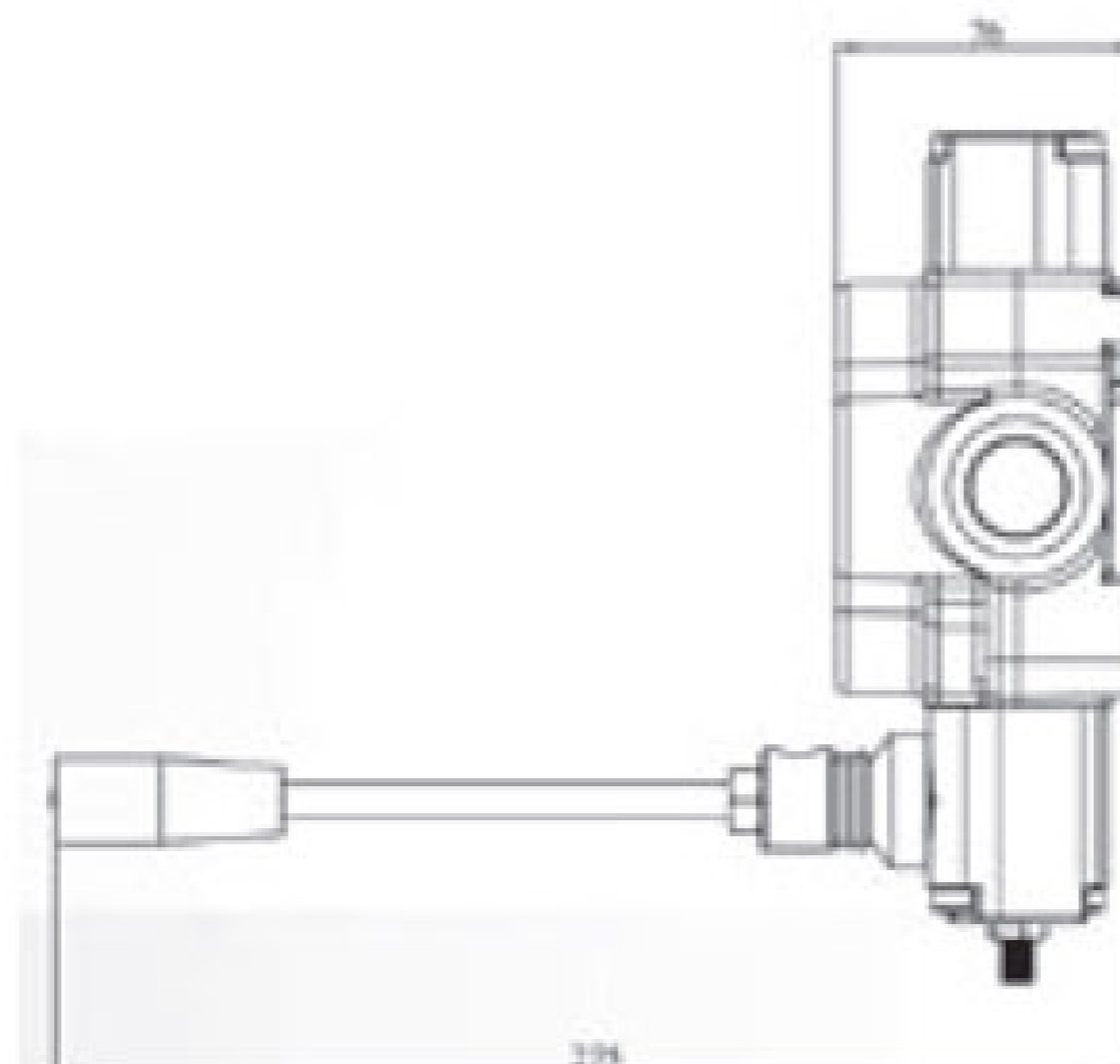


Product Code	6 C 045 M
Section	6
Displacement	45 lt./min
Maximum Working Pressure	320
Maximum Ret. Back Pressure	25
Recommended Oil Filter	Max 30 Micron
Kg.	11,9

Standart		
P	A-B	T
3/8"	3/8"	1/2"
1/2"	1/2"	1/2"

Parallel & Series Circuit - Adjustable
Direct Operated Relief Valve - Single /
Load Hold Check Valve in Each Section /
Double Action / Carry Over

1 C 080 M

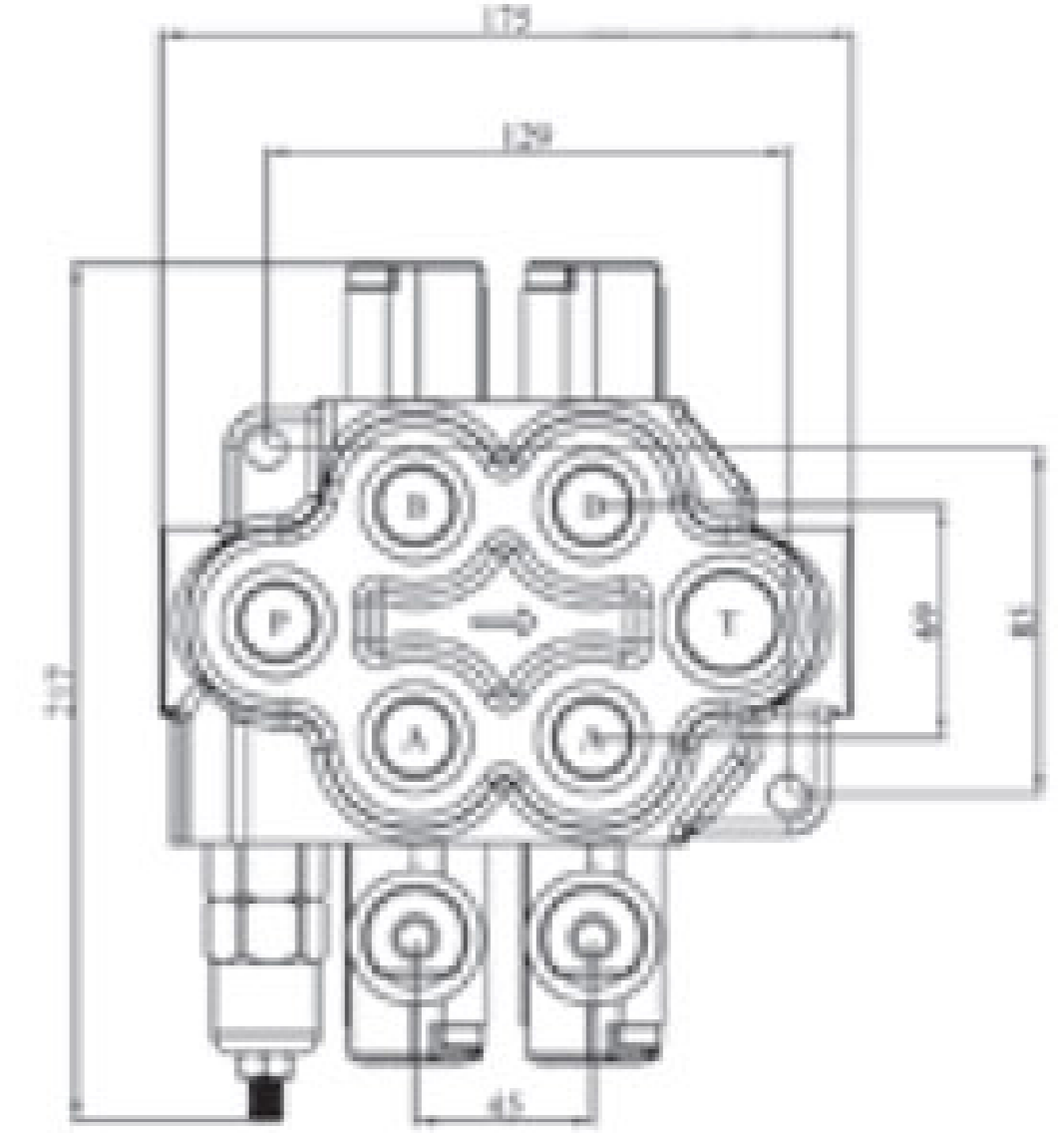
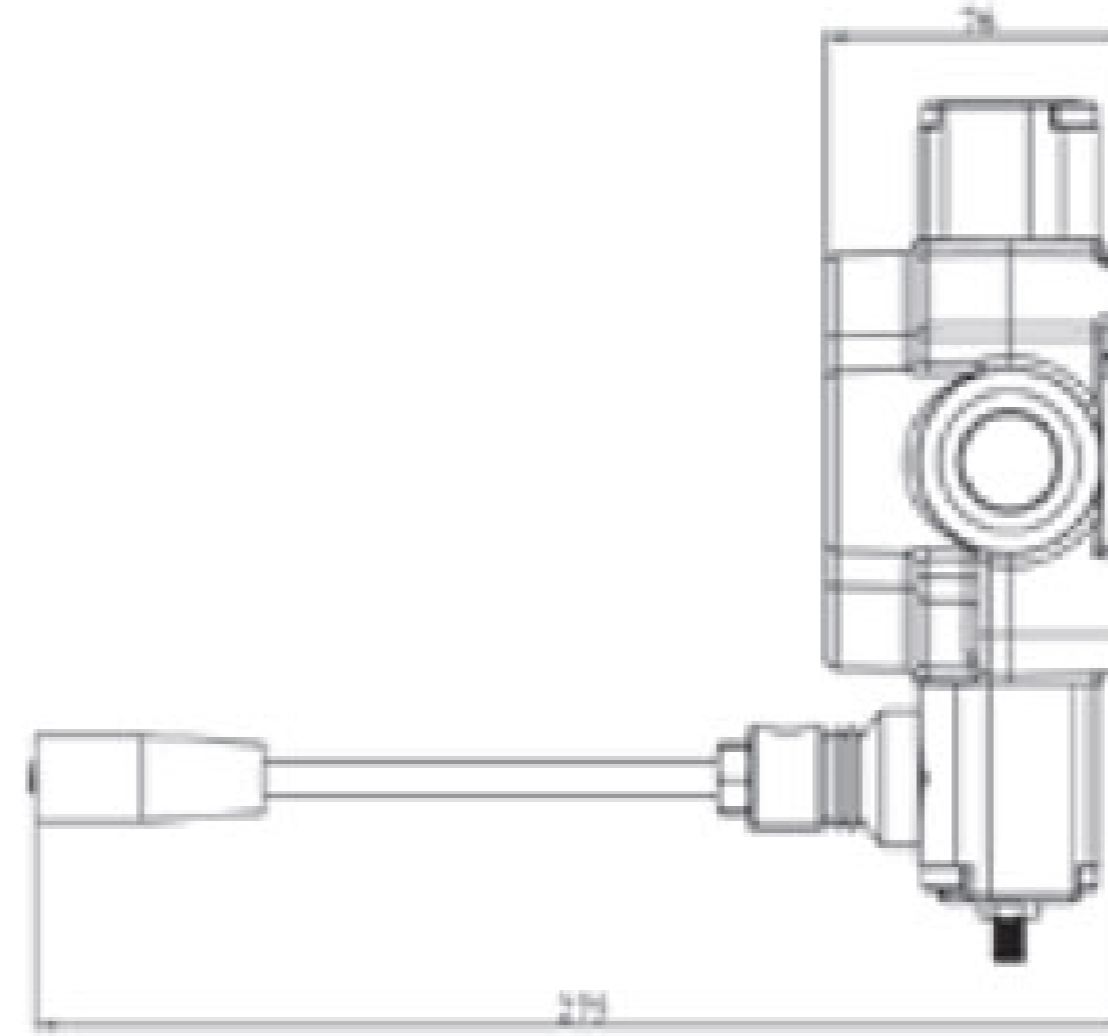


Product Code	1 C 080 M
Section	1
Displacement	80 lt./min
Maximum Working Pressure	320
Maximum Ret. Back Pressure	25
Recommended Oil Filter	Max 30 Micron
Kg.	4,79

Standart		
P	A-B	T
1/2"	1/2"	3/4"
3/4"	3/4"	3/4"

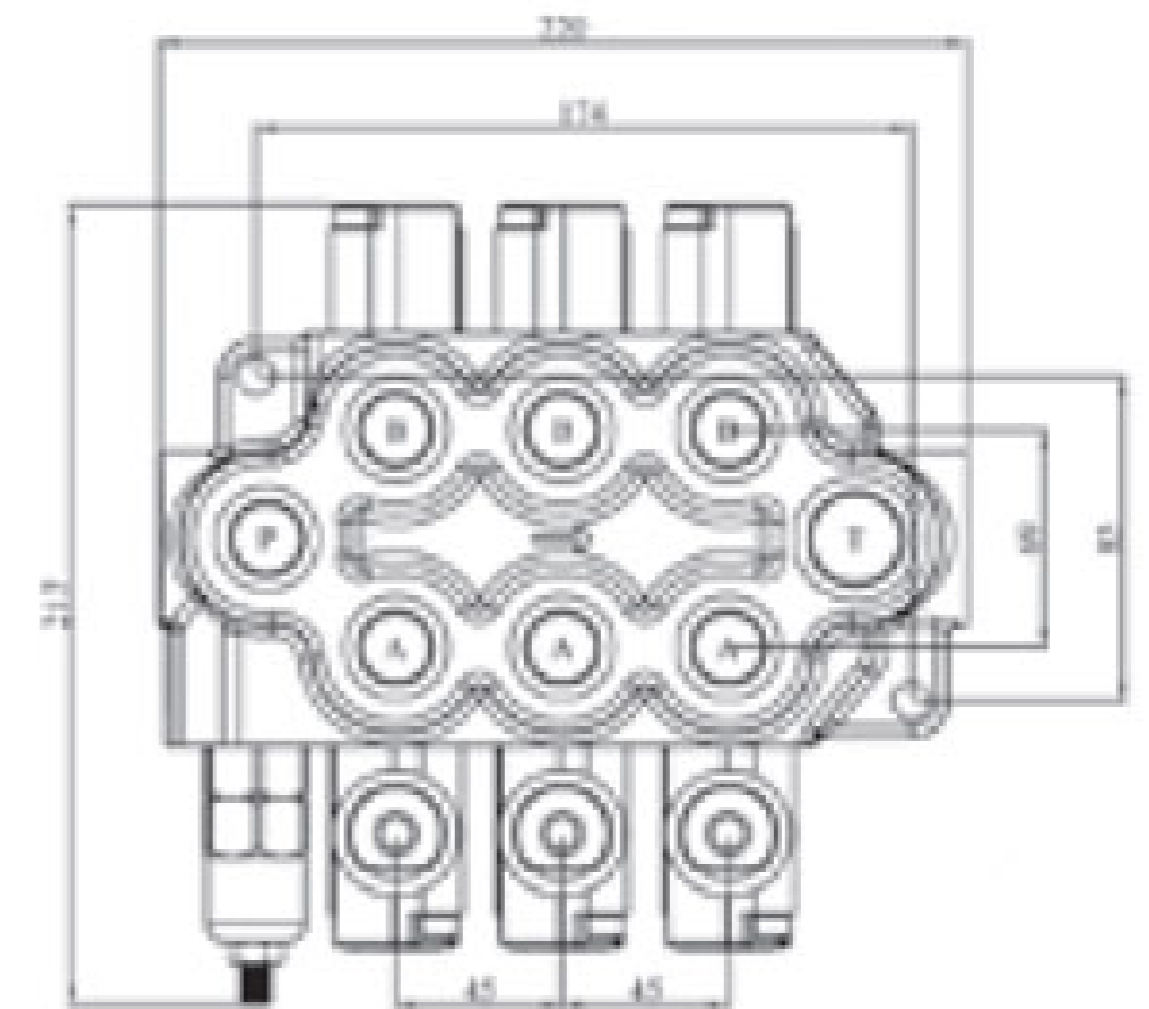
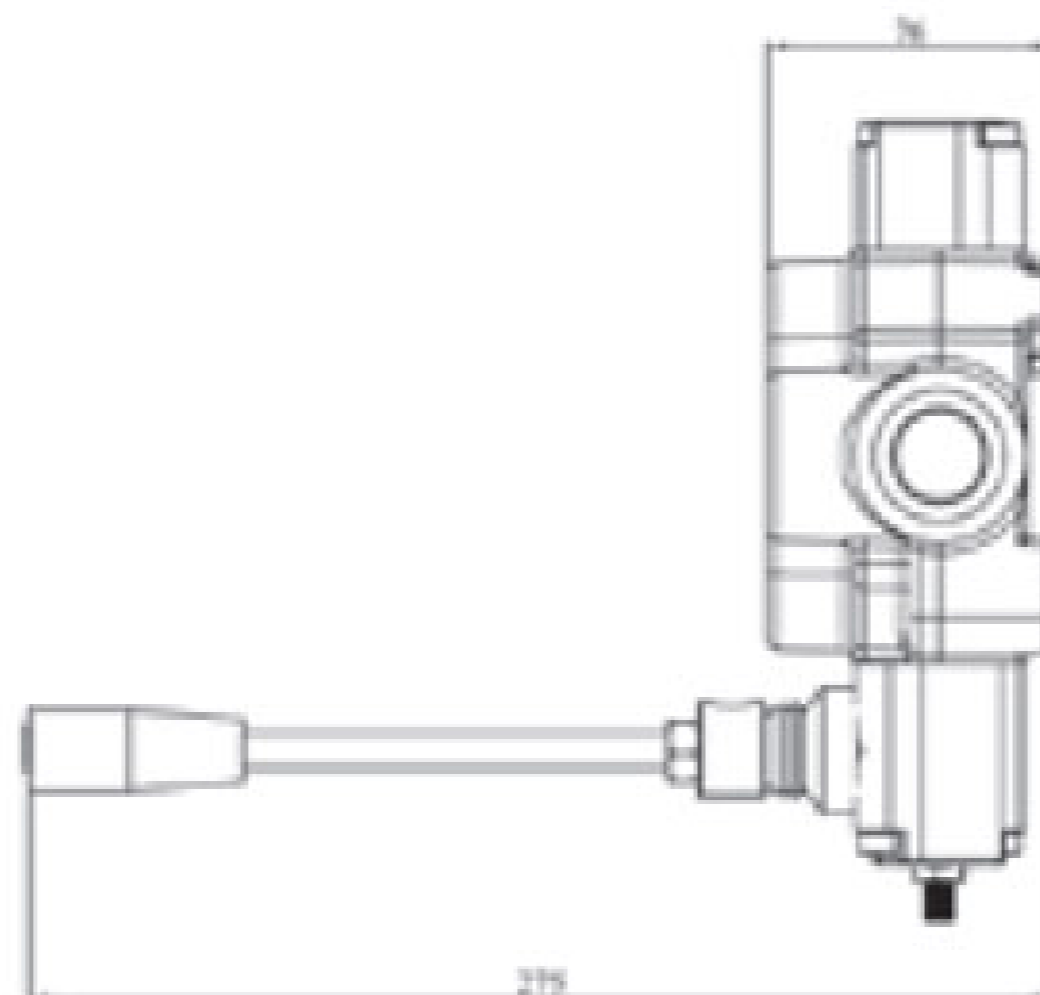
Parallel & Series Circuit - Adjustable
Direct Operated Relief Valve - Single /
Load Hold Check Valve in Each Section /
Double Action / Carry Over

2 C 080 M



Product Code	2 C 080 M	Standart		
Section	2	P	A-B	T
Displacement	80 lt./min	1/2"	1/2"	3/4"
Maximum Working Pressure	320	3/4"	3/4"	3/4"
Maximum Ret. Back Pressure	25			
Recommended Oil Filter	Max 30 Micron	Parallel & Series Circuit - Adjustable Direct Operated Relief Valve - Single / Load Hold Check Valve in Each Section / Double Action / Carry Over		
Kg.	7,24			

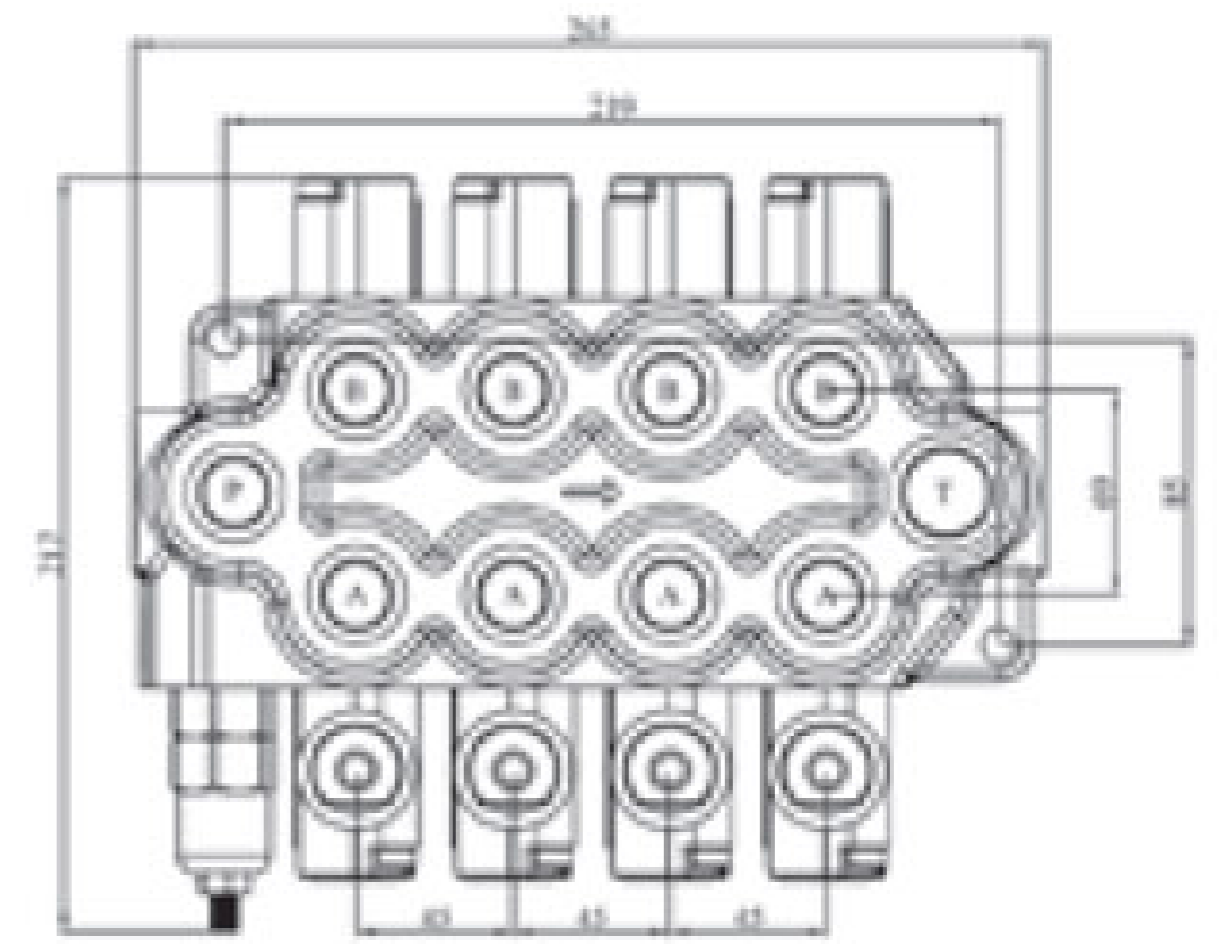
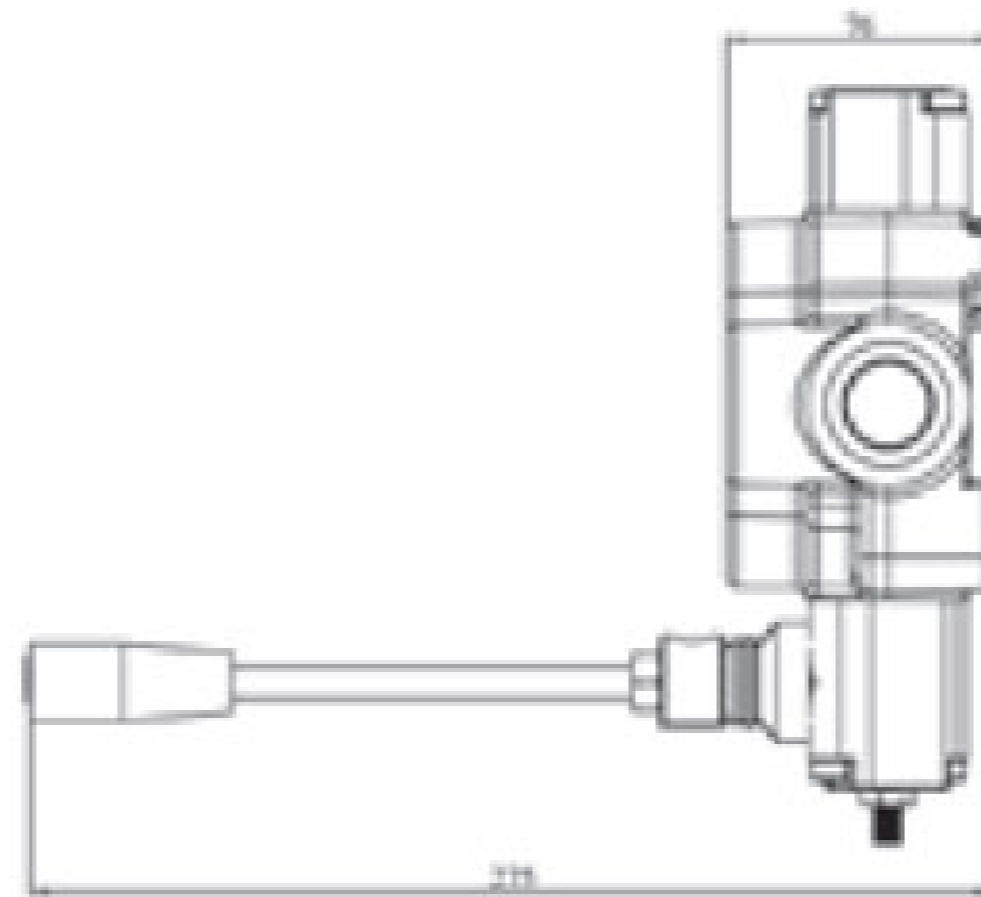
3 C 080 M



Product Code	3 C 080 M	Standart		
Section	3	P	A-B	T
Displacement	80 lt./min	1/2"	1/2"	3/4"
Maximum Working Pressure	320	3/4"	3/4"	3/4"
Maximum Ret. Back Pressure	25			
Recommended Oil Filter	Max 30 Micron	Parallel & Series Circuit - Adjustable Direct Operated Relief Valve - Single / Load Hold Check Valve in Each Section / Double Action / Carry Over		
Kg.	9,69			

EKPART HYDRAULIC VALVE

4 C 080 M

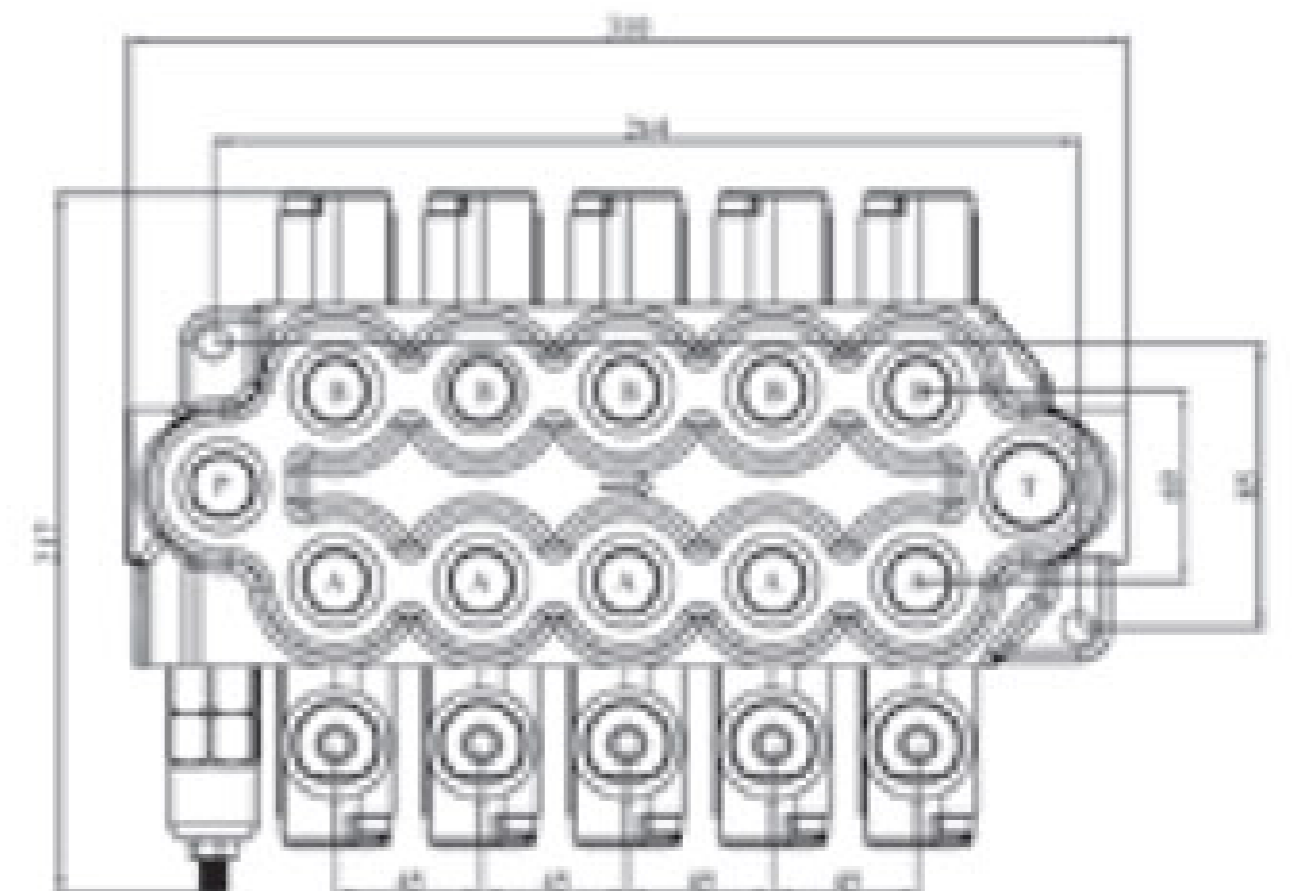
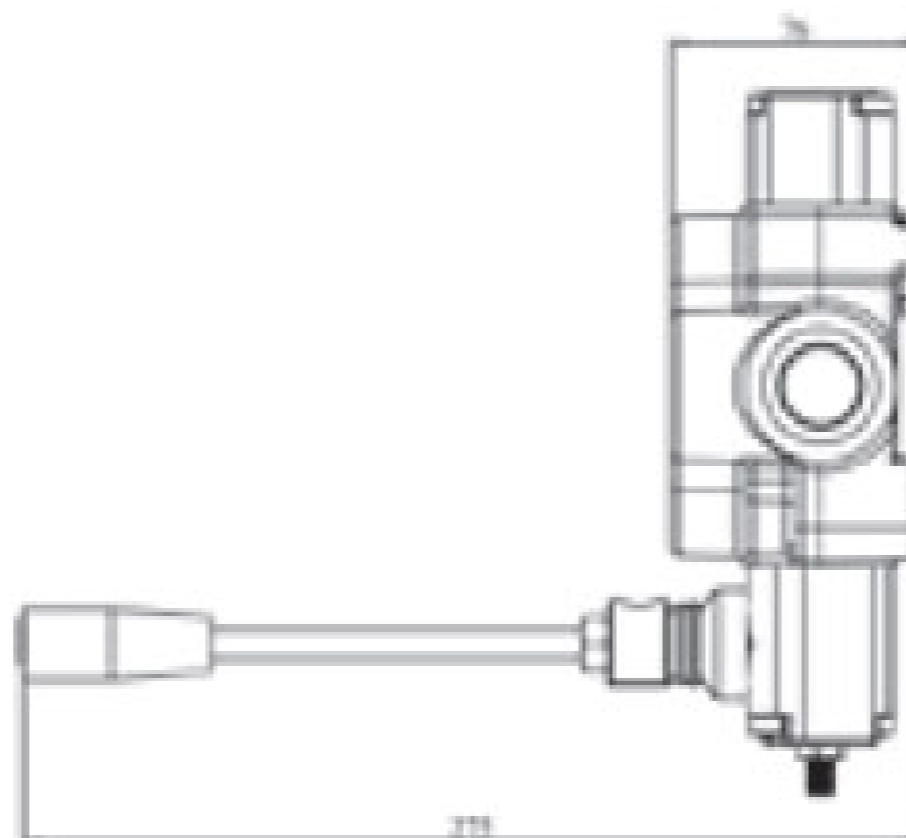


Product Code	4 C 080 M
Section	4
Displacement	80 lt./min
Maximum Working Pressure	320
Maximum Ret. Back Pressure	25
Recommended Oil Filter	Max 30 Micron
Kg.	12,14

Standart		
P	A-B	T
1/2"	1/2"	3/4"
3/4"	3/4"	3/4"

Parallel & Series Circuit - Adjustable
Direct Operated Relief Valve - Single /
Load Hold Check Valve in Each Section /
Double Action / Carry Over

5 C 080 M

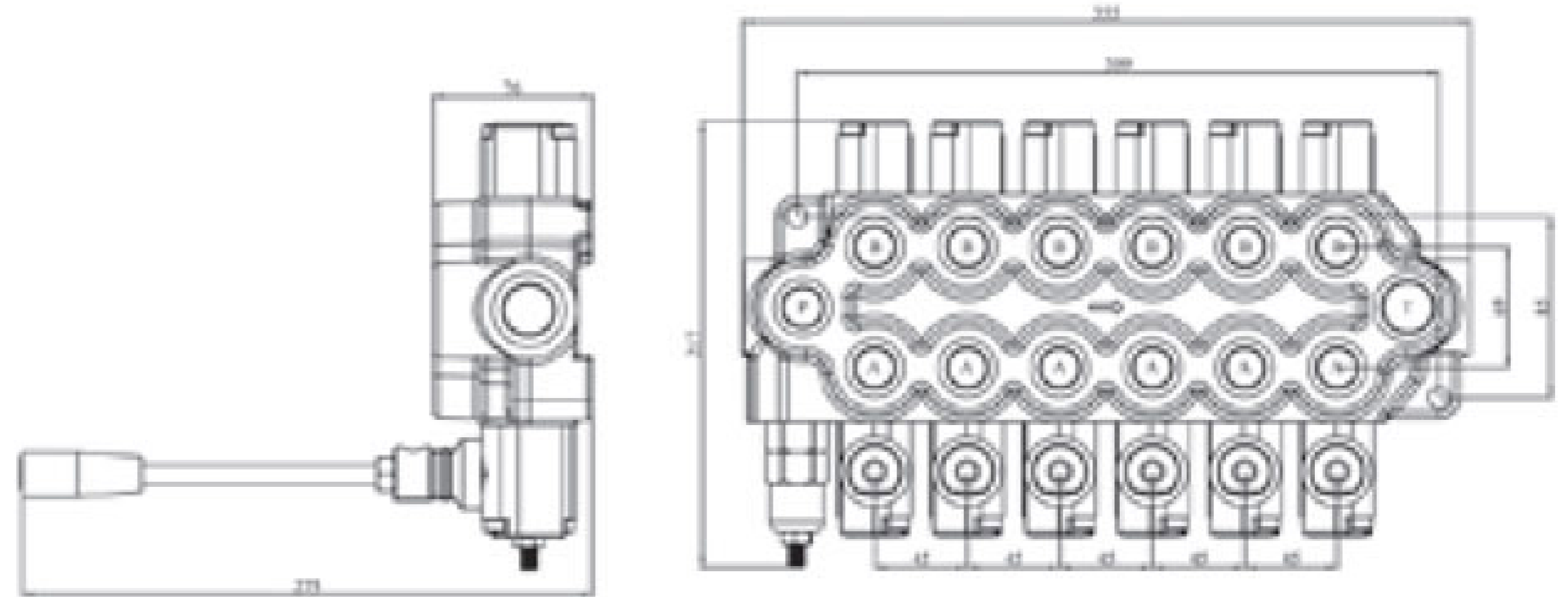


Product Code	5 C 080 M
Section	5
Displacement	80 lt./min
Maximum Working Pressure	320
Maximum Ret. Back Pressure	25
Recommended Oil Filter	Max 30 Micron
Kg.	14,59

Standart		
P	A-B	T
1/2"	1/2"	3/4"
3/4"	3/4"	3/4"

Parallel & Series Circuit - Adjustable
Direct Operated Relief Valve - Single /
Load Hold Check Valve in Each Section /
Double Action / Carry Over

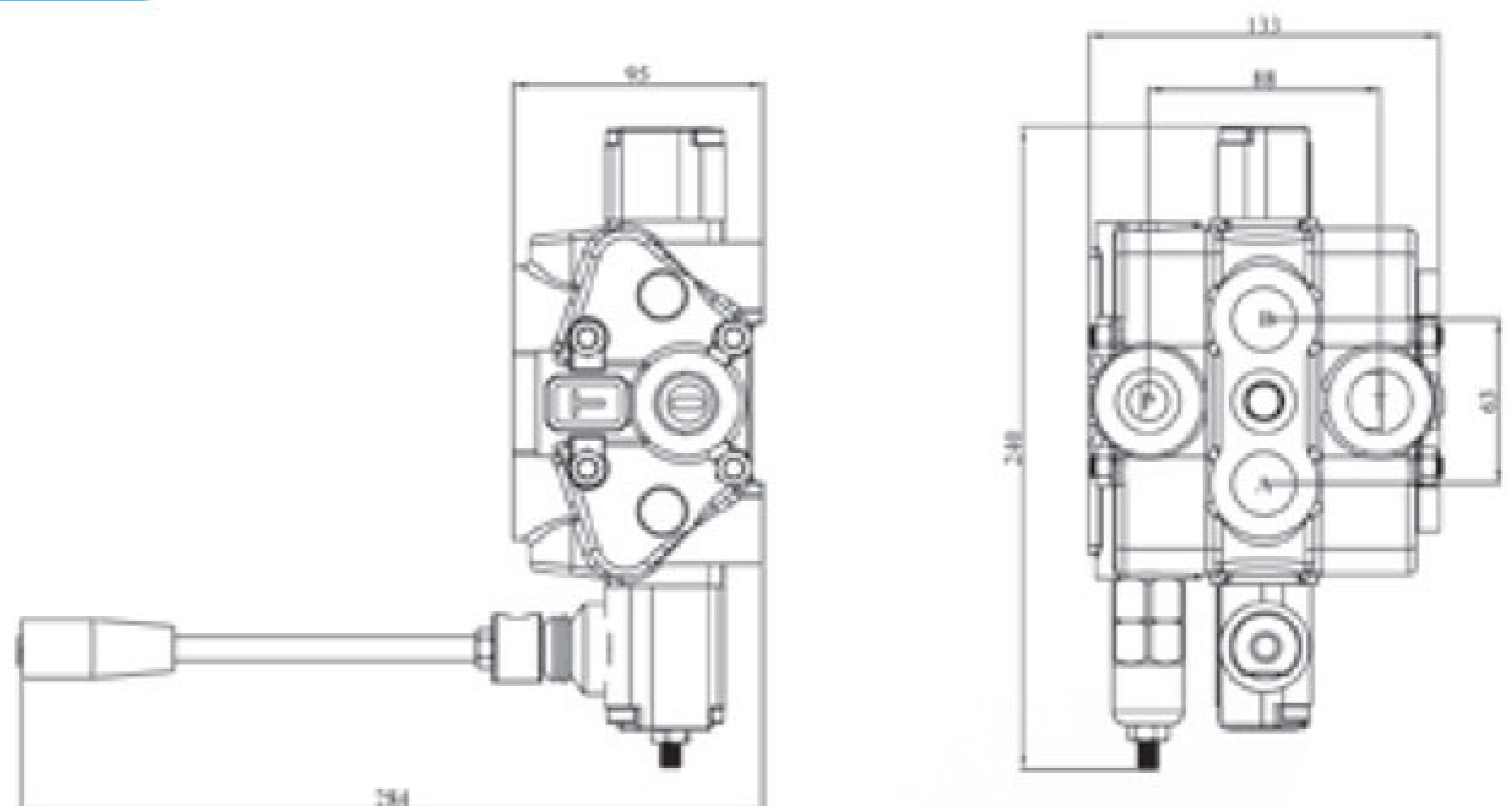
6 C 080 M



Product Code	6 C 080 M	Standart		
Section	6	P	A-B	T
Displacement	80 lt./min	1/2"	1/2"	3/4"
Maximum Working Pressure	320	3/4"	3/4"	3/4"
Maximum Ret. Back Pressure	25			
Recommended Oil Filter	Max 30 Micron			
Kg.	17,04			

Parallel & Series Circuit - Adjustable
Direct Operated Relief Valve - Single /
Load Hold Check Valve in Each Section /
Double Action / Carry Over

1 C 080 D

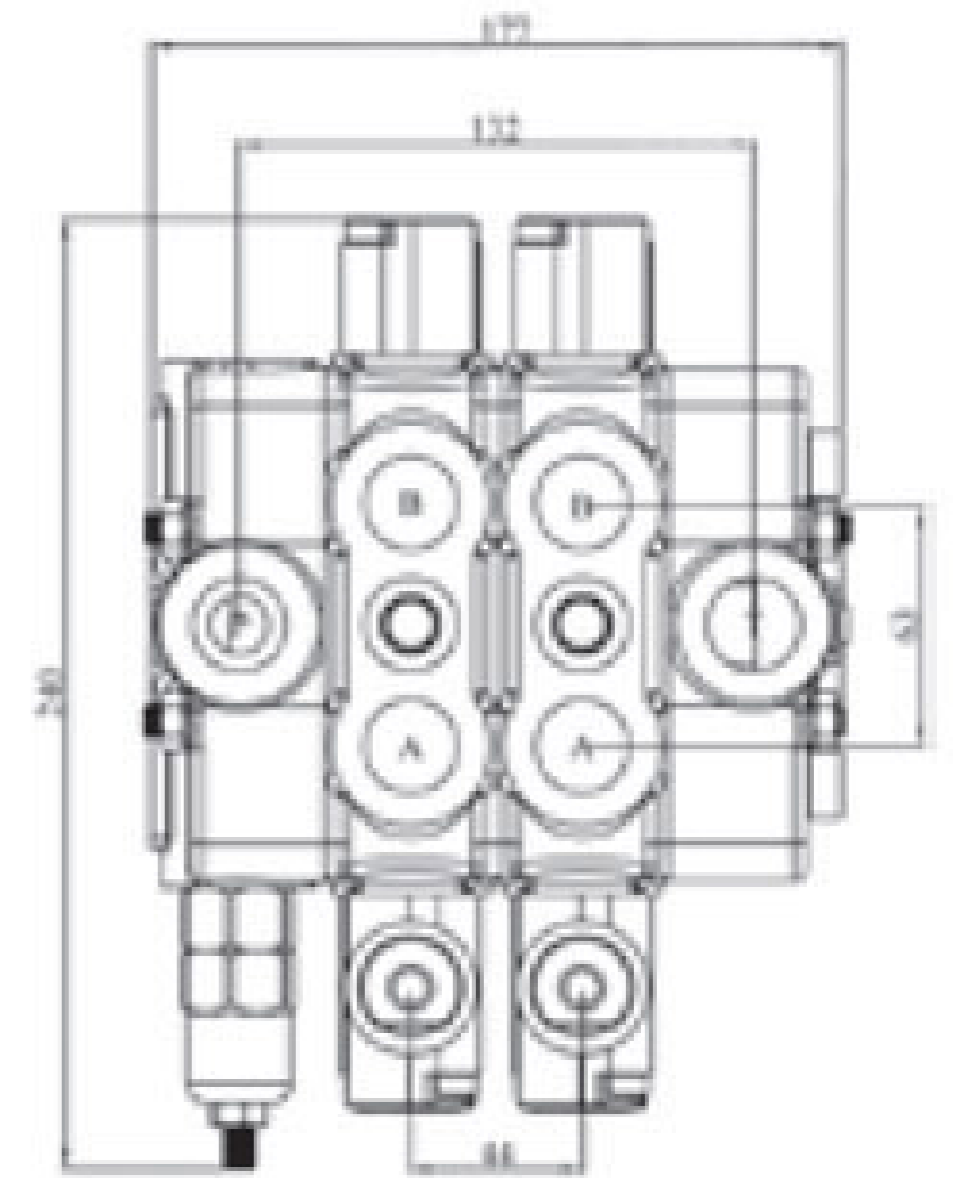
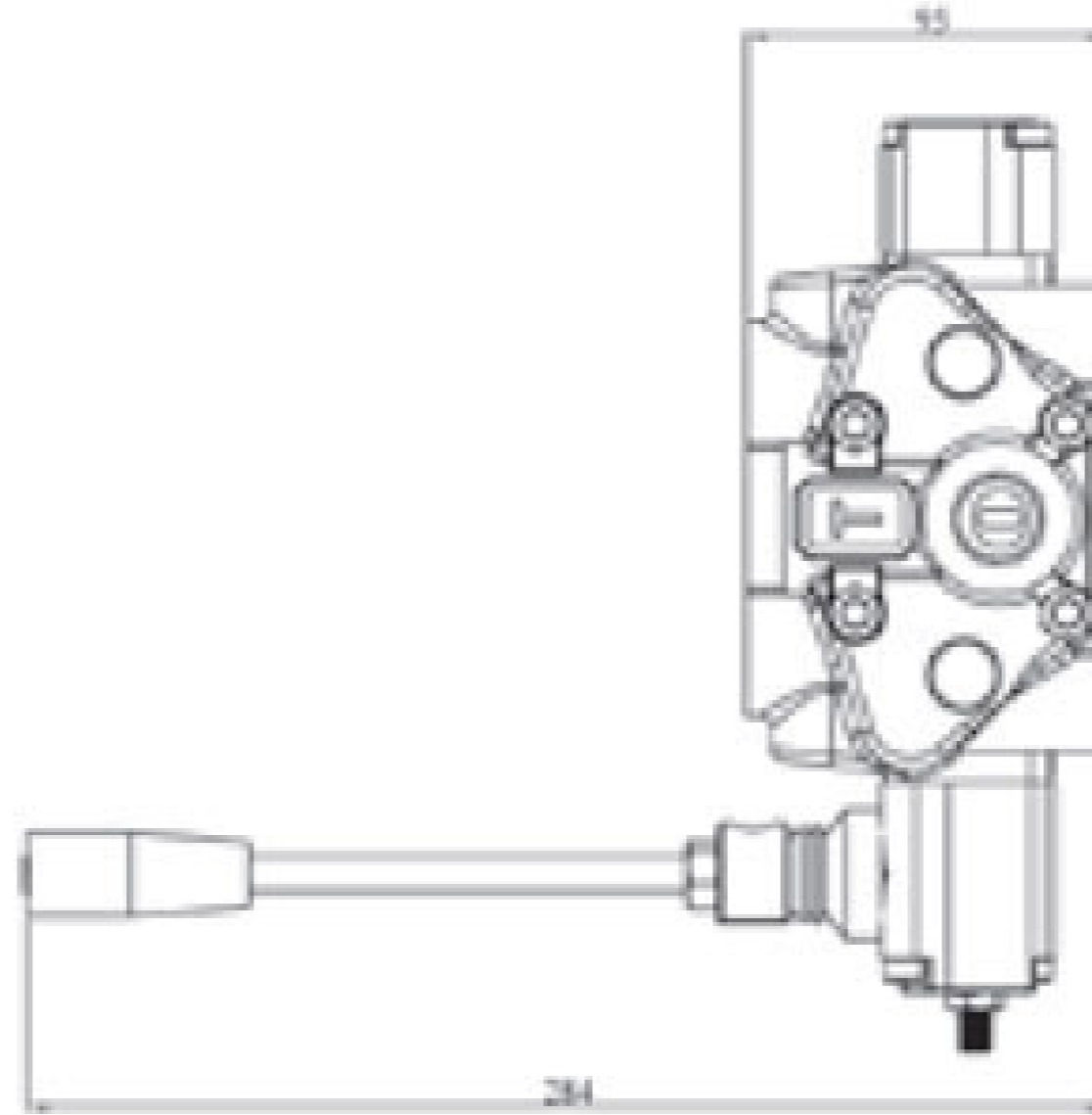


Product Code	1 C 080 D	Standart		
Section	1	P	A-B	T
Displacement	80 lt./min	1/2"	1/2"	3/4"
Maximum Working Pressure	320	3/4"	3/4"	3/4"
Maximum Ret. Back Pressure	25			
Recommended Oil Filter	Max 30 Micron			
Kg.	7,07			

Parallel & Series Circuit - Adjustable
Direct Operated Relief Valve - Single /
Load Hold Check Valve in Each Section /
Single - Double Action / Carry Over

EKPART HYDRAULIC VALVE

2 C 080 D

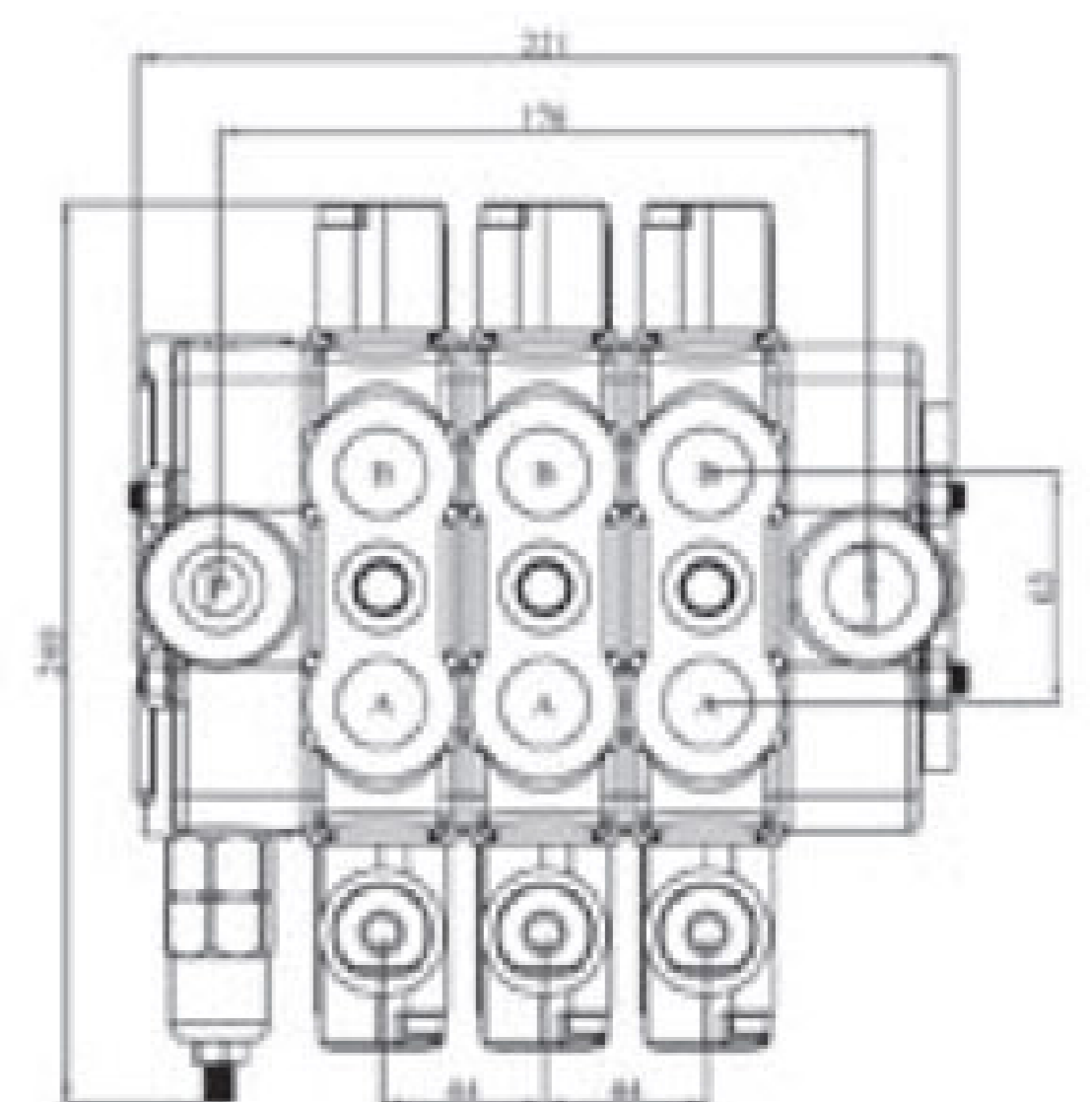
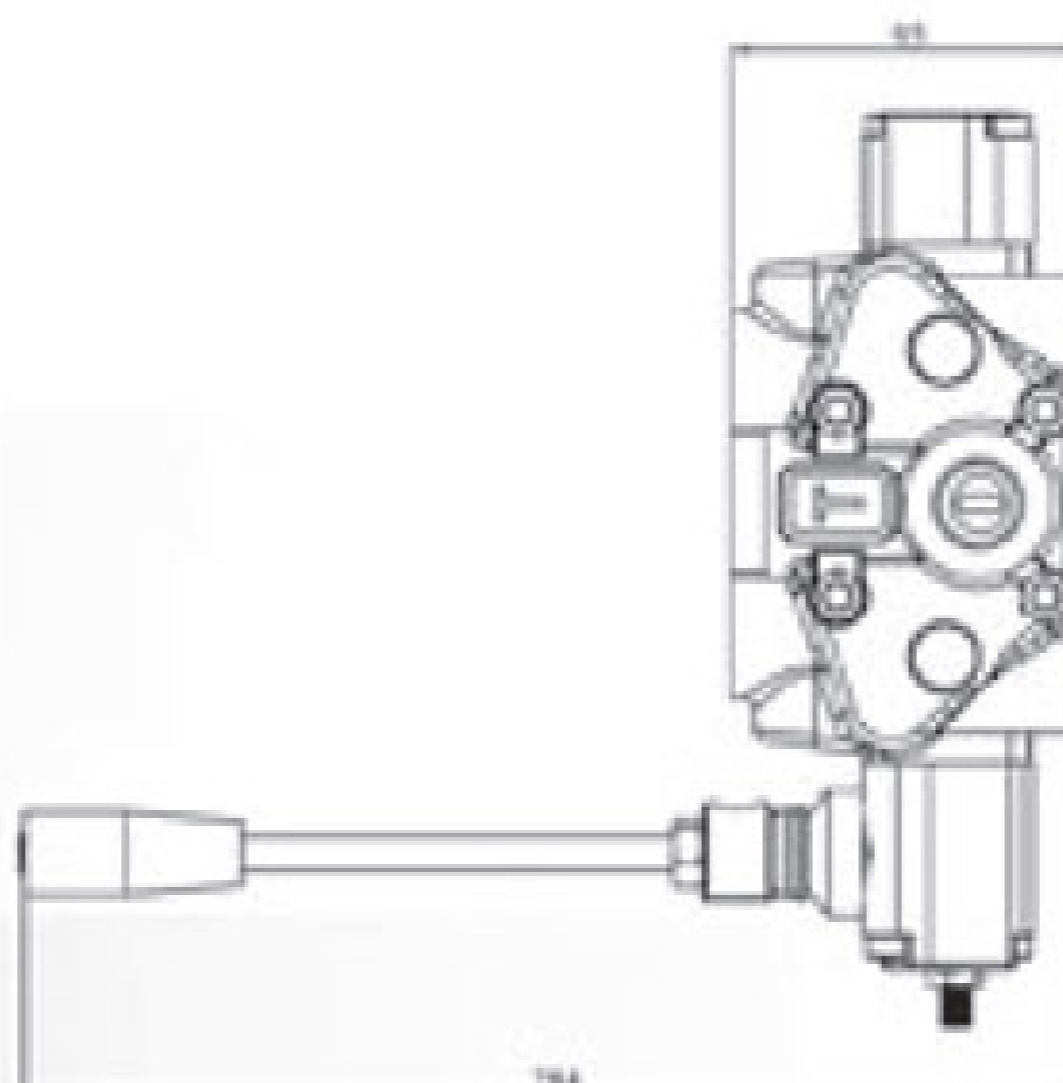


Product Code	2 C 080 D
Section	2
Displacement	80 lt./min
Maximum Working Pressure	320
Maximum Ret. Back Pressure	25
Recommended Oil Filter	Max 30 Micron
Kg.	10,17

Standart		
P	A-B	T
1/2"	1/2"	3/4"
3/4"	3/4"	3/4"

Parallel & Series Circuit - Adjustable
Direct Operated Relief Valve - Single /
Load Hold Check Valve in Each Section /
Single - Double Action / Carry Over

3 C 080 D

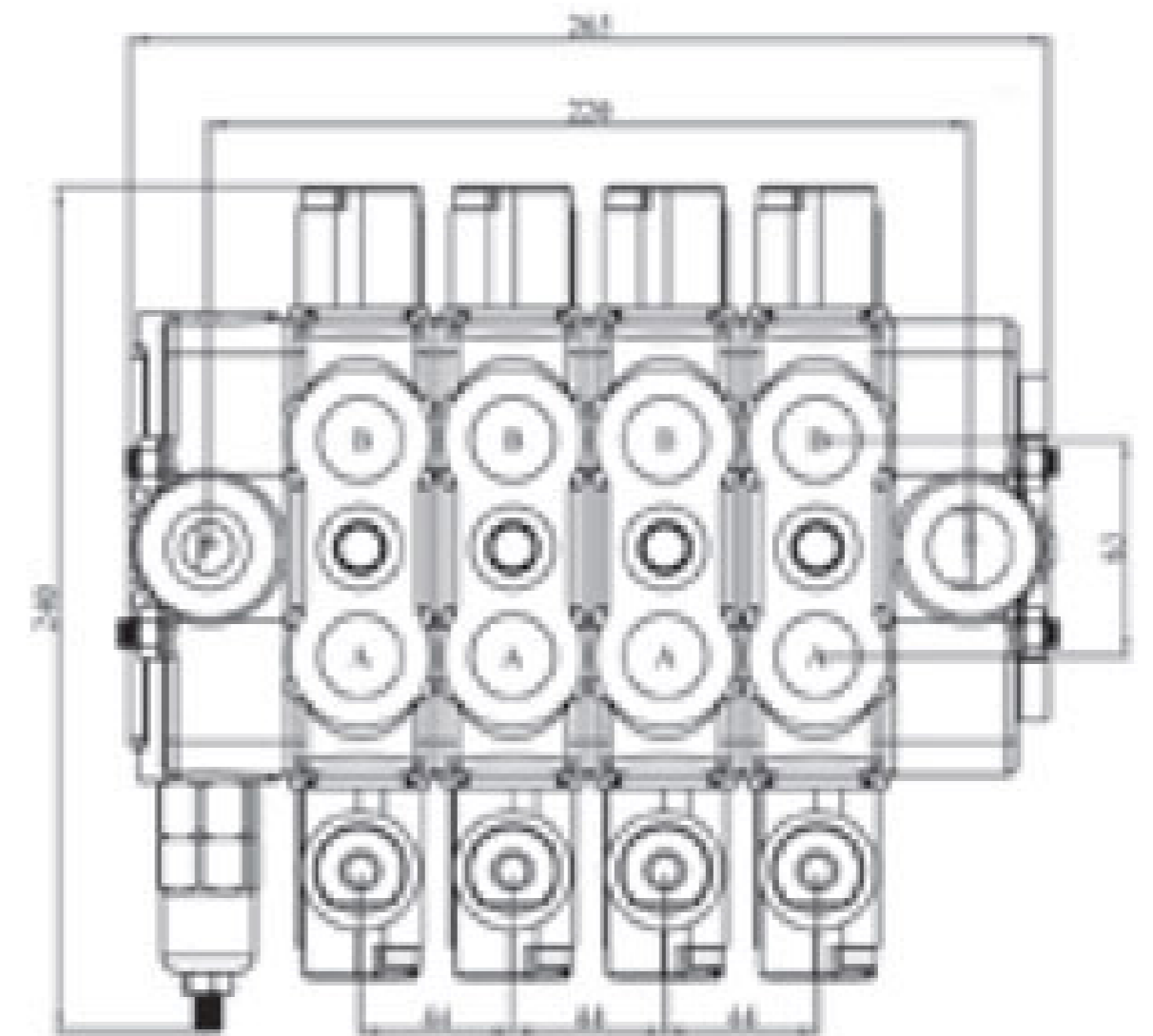
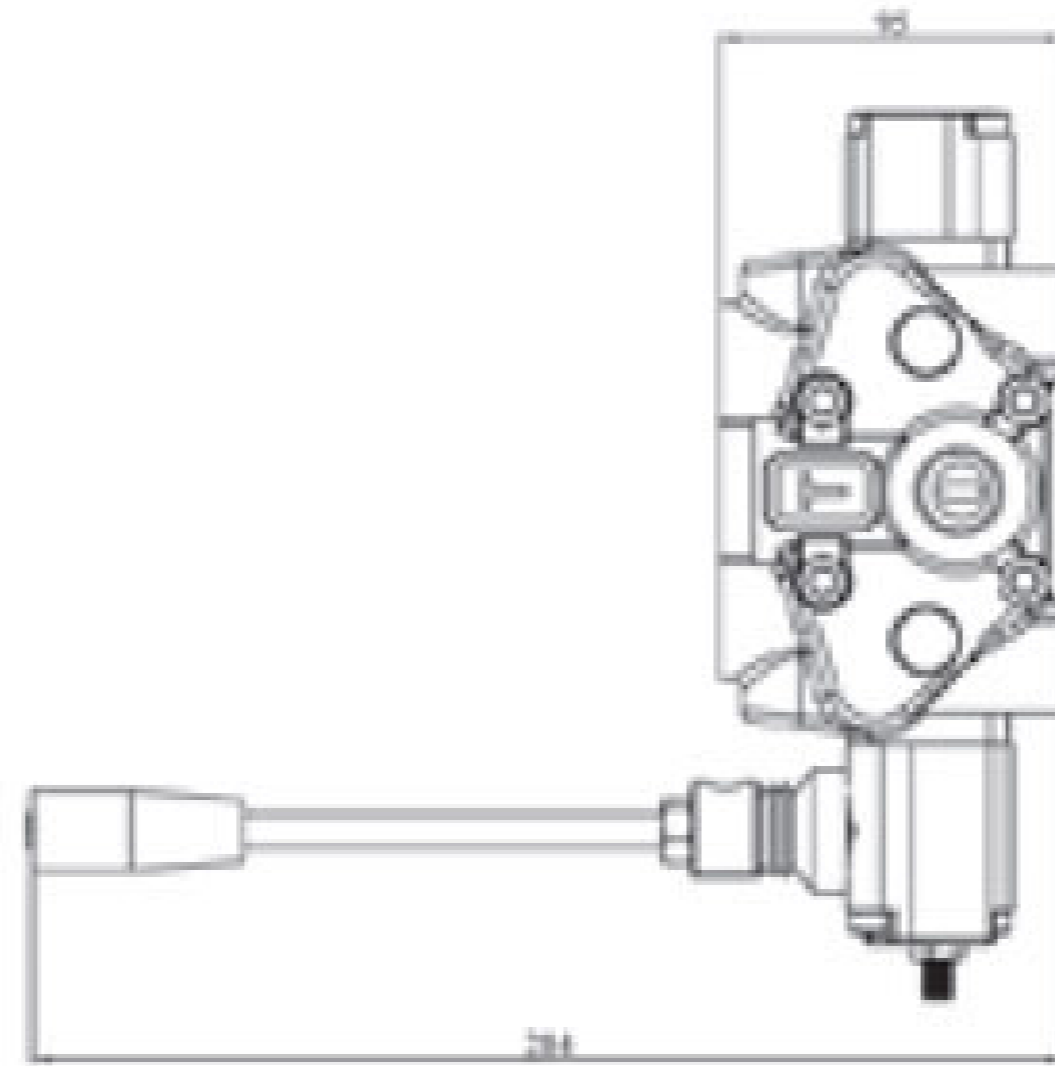


Product Code	3 C 080 D
Section	3
Displacement	80 lt./min
Maximum Working Pressure	320
Maximum Ret. Back Pressure	25
Recommended Oil Filter	Max 30 Micron
Kg.	13,27

Standart		
P	A-B	T
1/2"	1/2"	3/4"
3/4"	3/4"	3/4"

Parallel & Series Circuit - Adjustable
Direct Operated Relief Valve - Single /
Load Hold Check Valve in Each Section /
Single - Double Action / Carry Over

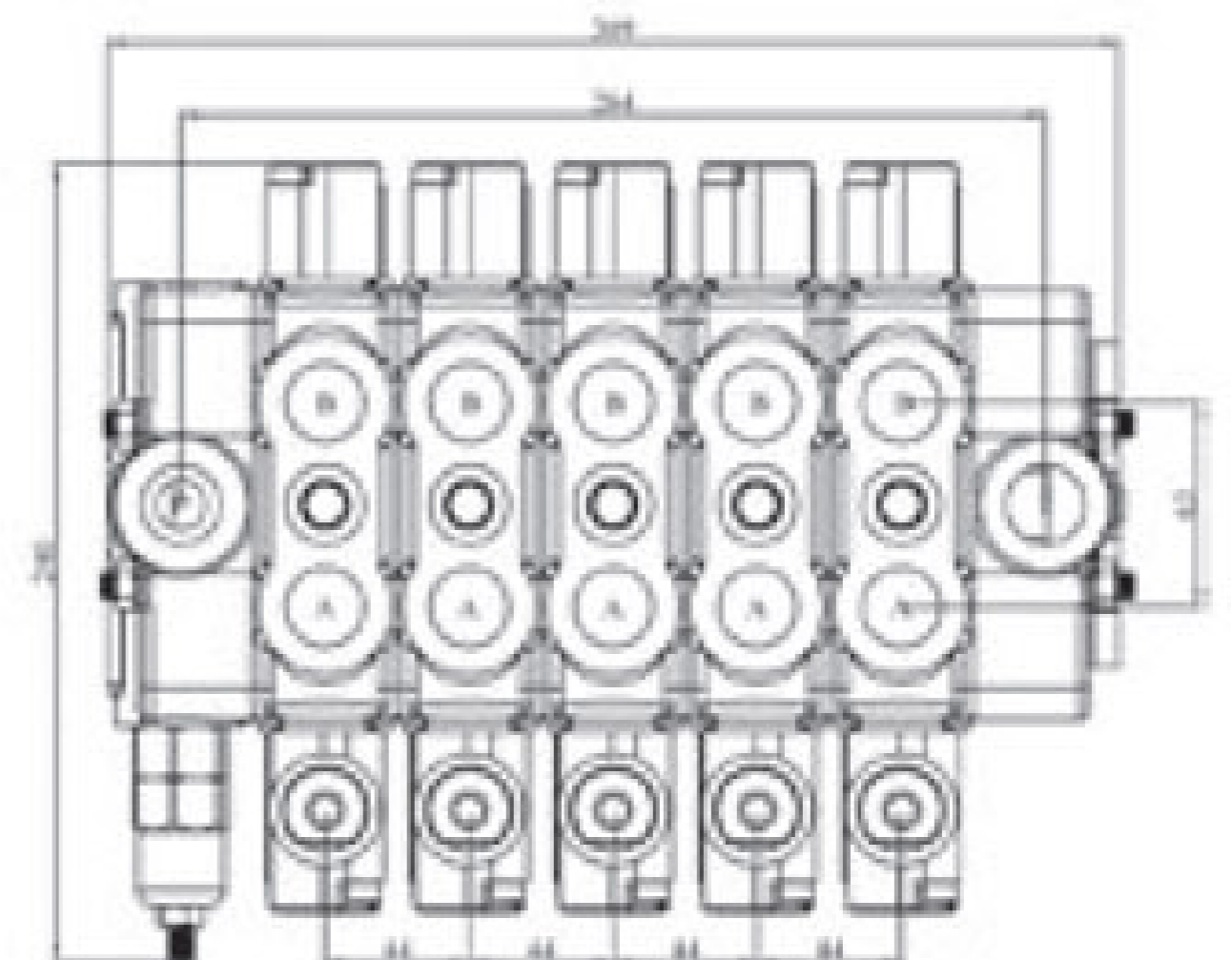
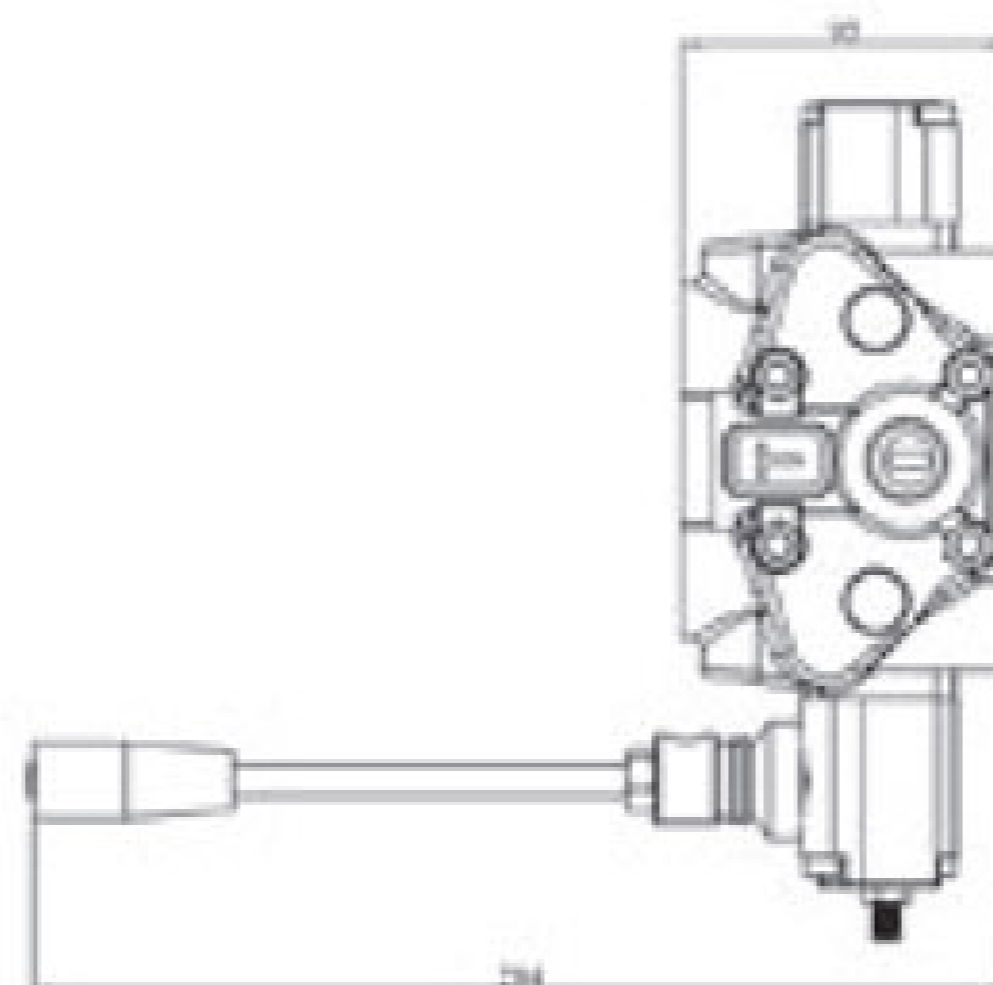
4 C 080 D



Product Code	4 C 080 D	Standart		
Section	4	P	A-B	T
Displacement	80 lt./min	1/2"	1/2"	3/4"
Maximum Working Pressure	320	3/4"	3/4"	3/4"
Maximum Ret. Back Pressure	25			
Recommended Oil Filter	Max 30 Micron			
Kg.	16,37			

Parallel & Series Circuit - Adjustable
Direct Operated Relief Valve - Single /
Load Hold Check Valve in Each Section /
Single - Double Action / Carry Over

5 C 080 D

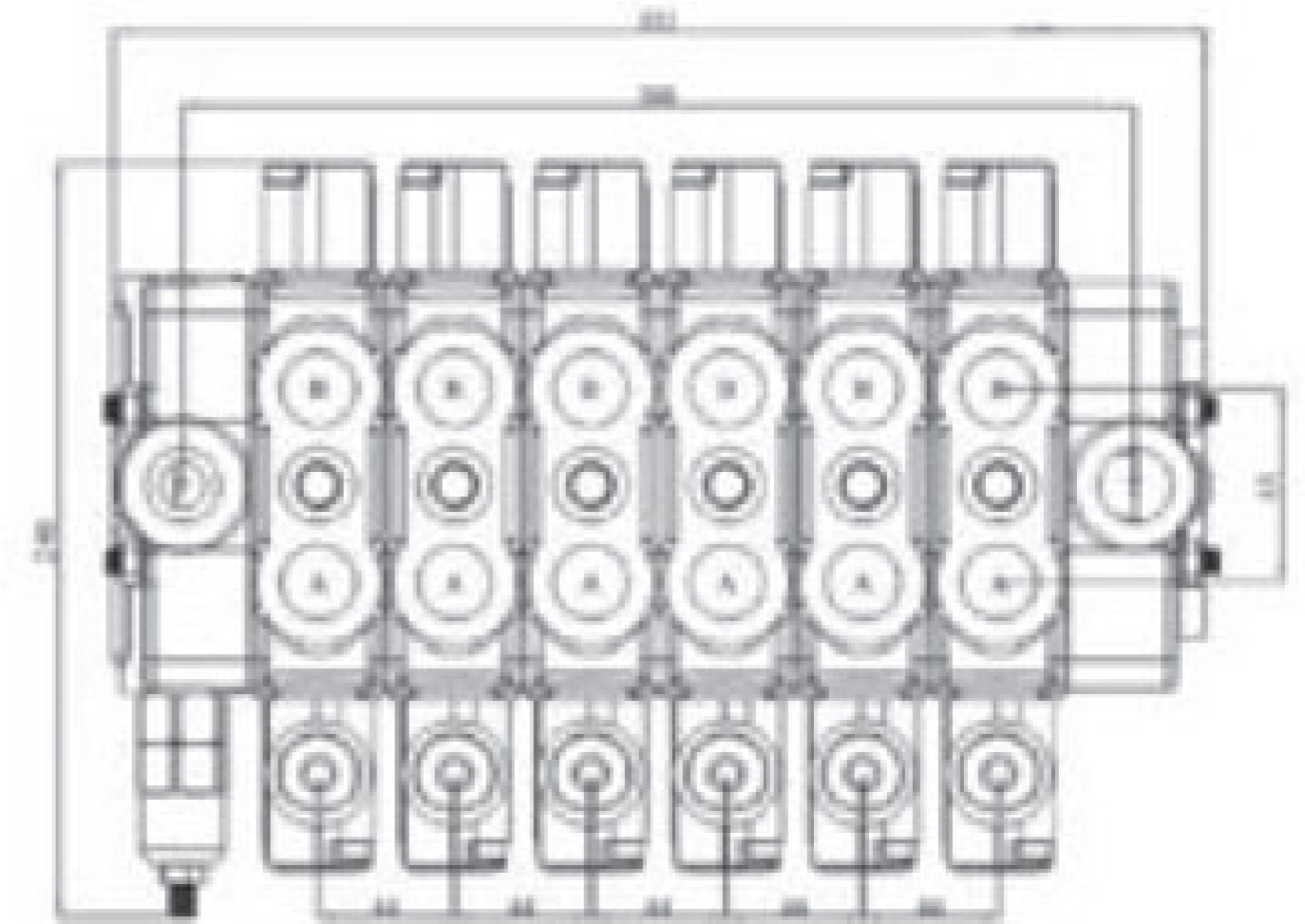
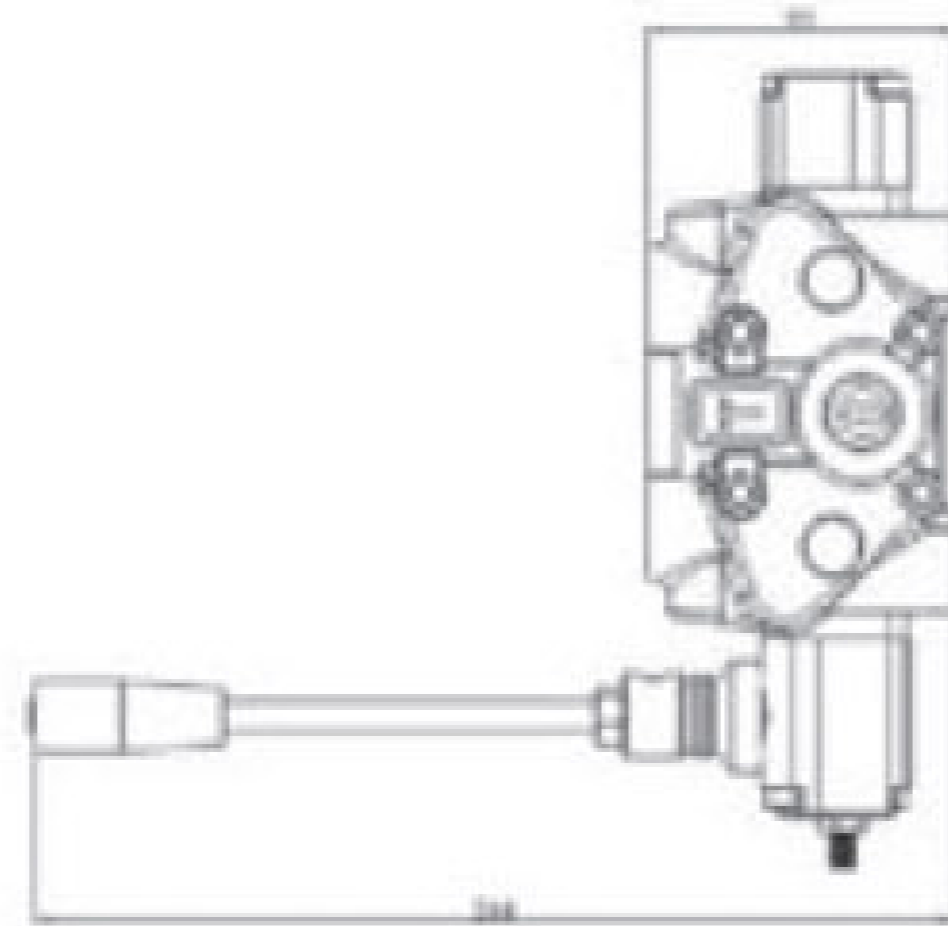


Product Code	5 C 080 D	Standart		
Section	5	P	A-B	T
Displacement	80 lt./min	1/2"	1/2"	3/4"
Maximum Working Pressure	320	3/4"	3/4"	3/4"
Maximum Ret. Back Pressure	25			
Recommended Oil Filter	Max 30 Micron			
Kg.	19,47			

Parallel & Series Circuit - Adjustable
Direct Operated Relief Valve - Single /
Load Hold Check Valve in Each Section /
Single - Double Action / Carry Over

EKPART HYDRAULIC VALVE

6 C 080 D

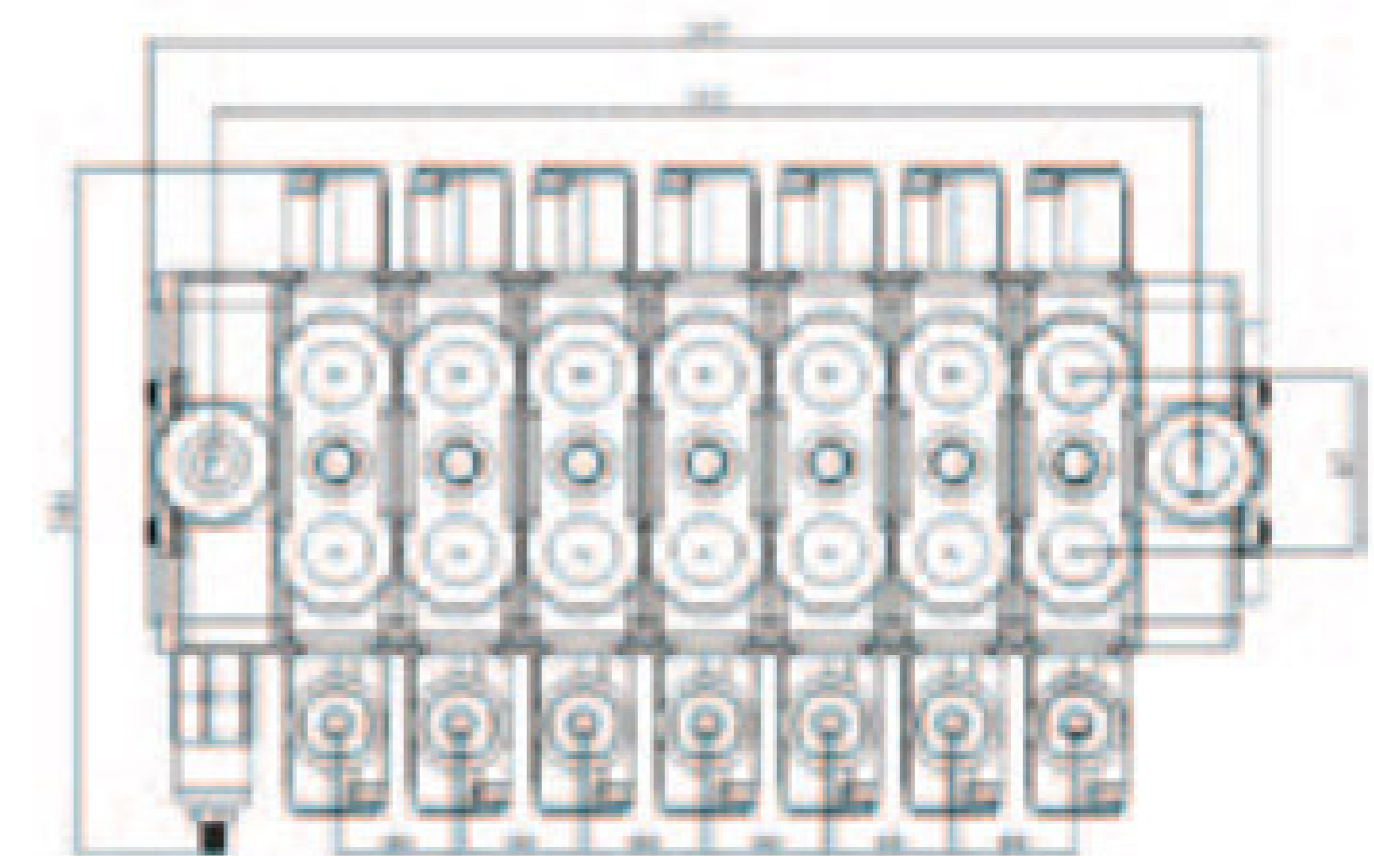
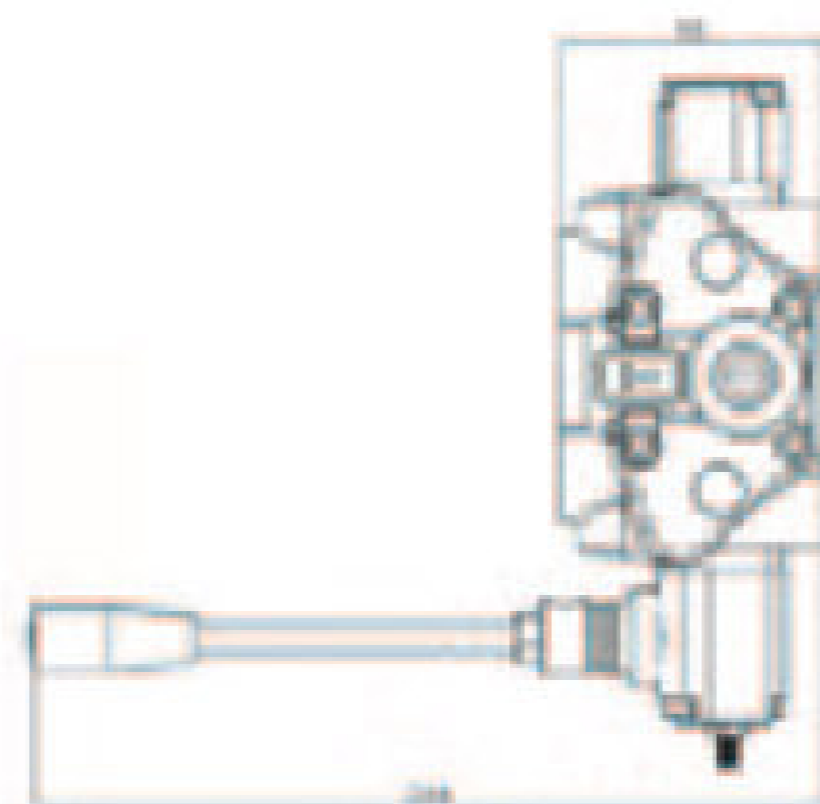


Product Code	6 C 080 D
Section	6
Displacement	80 lt./min
Maximum Working Pressure	320
Maximum Ret. Back Pressure	25
Recommended Oil Filter	Max 30 Micron
Kg.	22,57

Standart		
P	A-B	T
1/2"	1/2"	3/4"
3/4"	3/4"	3/4"

Parallel & Series Circuit - Adjustable
Direct Operated Relief Valve - Single /
Load Hold Check Valve in Each Section /
Single - Double Action / Carry Over

7 C 080 D

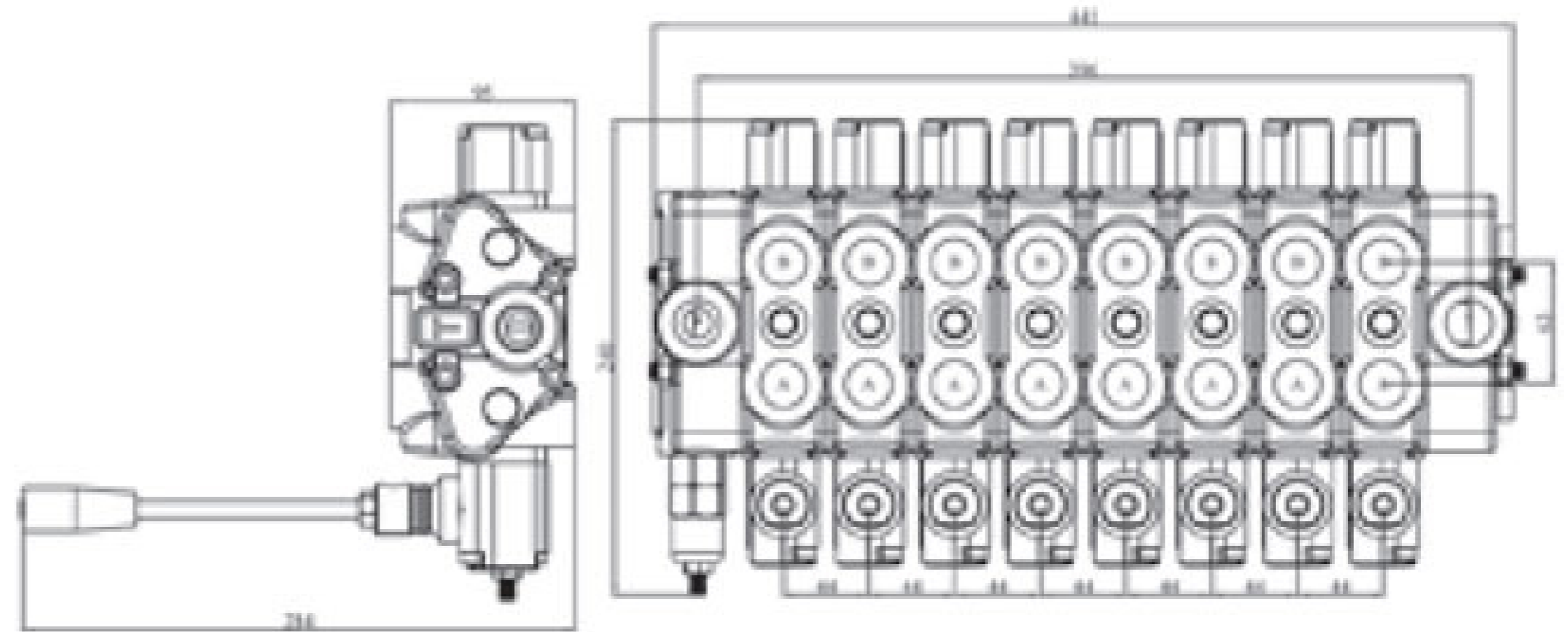


Product Code	7 C 080 D
Section	7
Displacement	80 lt./min
Maximum Working Pressure	320
Maximum Ret. Back Pressure	25
Recommended Oil Filter	Max 30 Micron
Kg.	25,67

Standart		
P	A-B	T
1/2"	1/2"	3/4"
3/4"	3/4"	3/4"

Parallel & Series Circuit - Adjustable
Direct Operated Relief Valve - Single /
Load Hold Check Valve in Each Section /
Single - Double Action / Carry Over

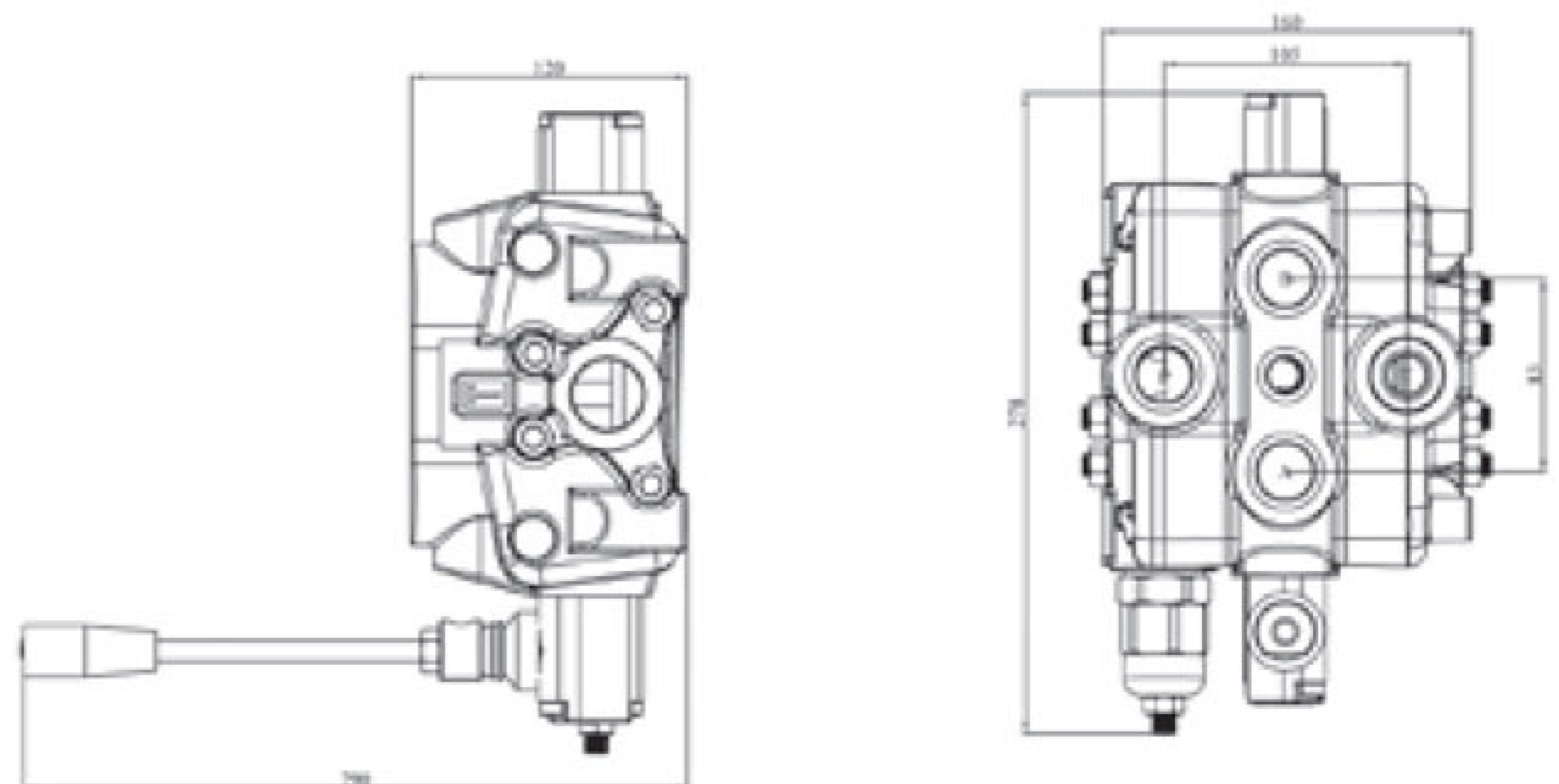
8 C 080 D



Product Code	8 C 080 D	Standart		
Section	8	P	A-B	T
Displacement	80 lt./min	1/2"	1/2"	3/4"
Maximum Working Pressure	320	3/4"	3/4"	3/4"
Maximum Ret. Back Pressure	25			
Recommended Oil Filter	Max 30 Micron			
Kg.	28,77			

Parallel & Series Circuit - Adjustable
Direct Operated Relief Valve - Single /
Load Hold Check Valve in Each Section /
Single - Double Action / Carry Over

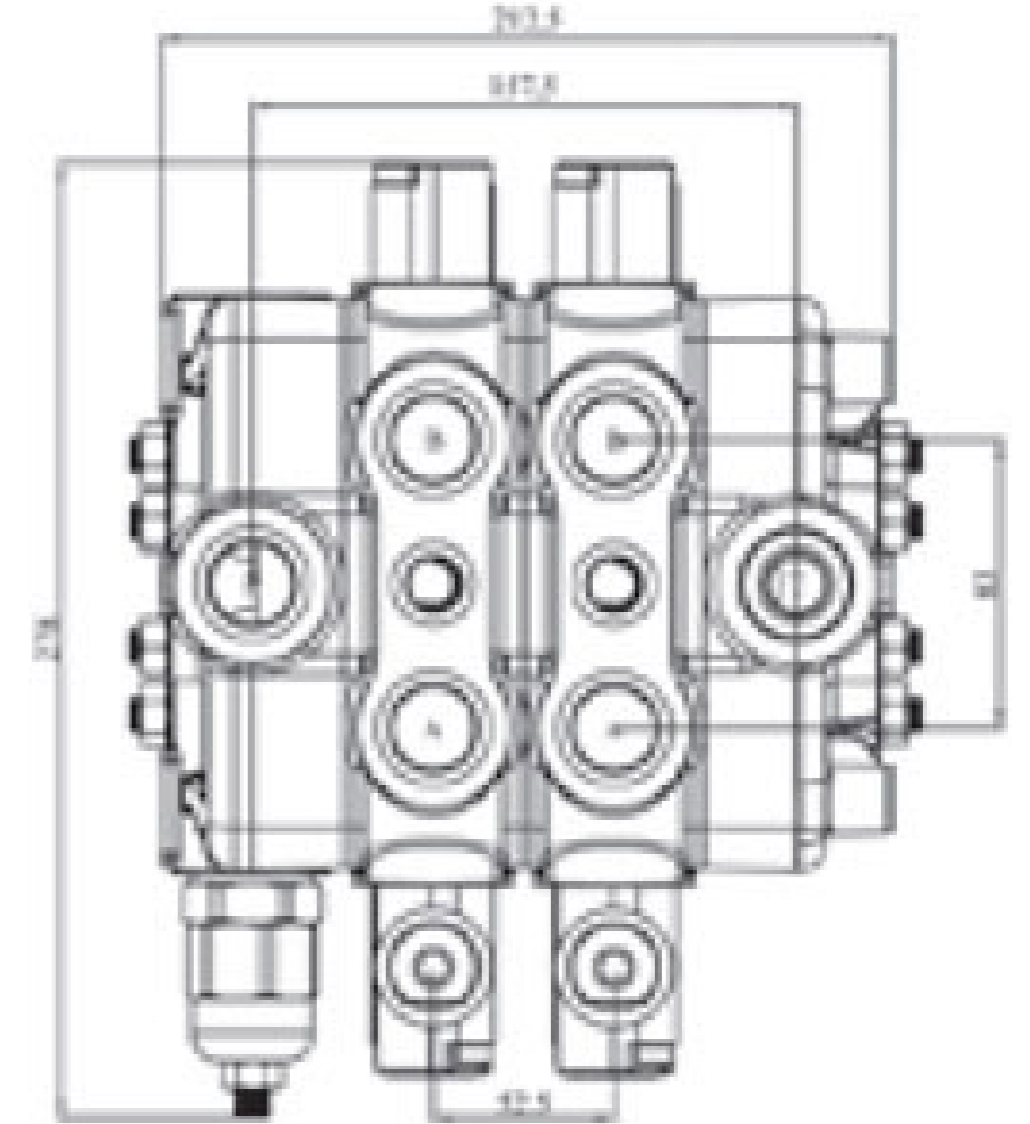
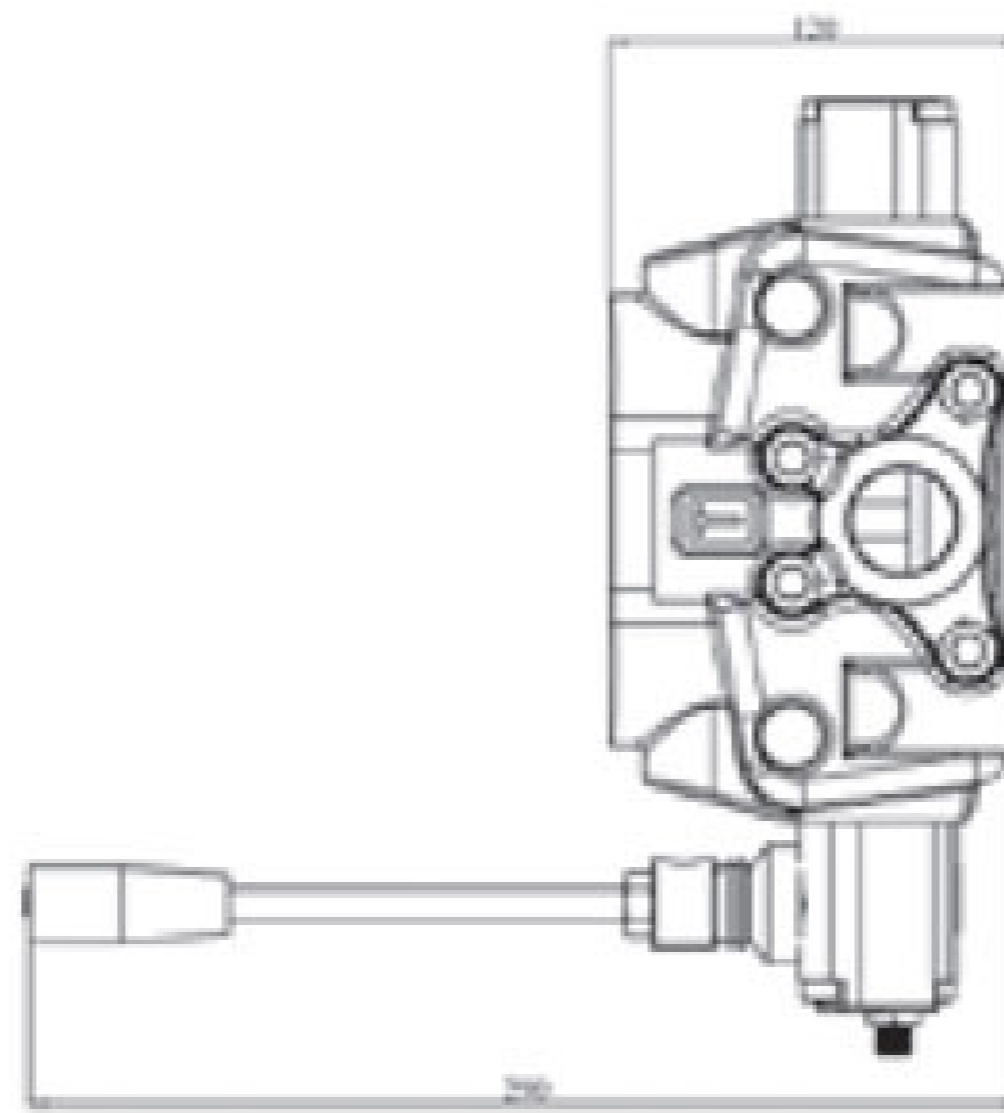
1 C 150 D



Product Code	1 C 150 D	Standart		
Section	1	P	A-B	T
Displacement	150 lt./min	3/4"	3/4"	1"
Maximum Working Pressure	320	1"	1"	1"
Maximum Ret. Back Pressure	25			
Recommended Oil Filter	Max 30 Micron			
Kg.	13,37			

Parallel & Series Circuit - Adjustable
Direct Operated Relief Valve - Single /
Load Hold Check Valve in Each Section /
Single - Double Action / Carry Over

2 C 150 D

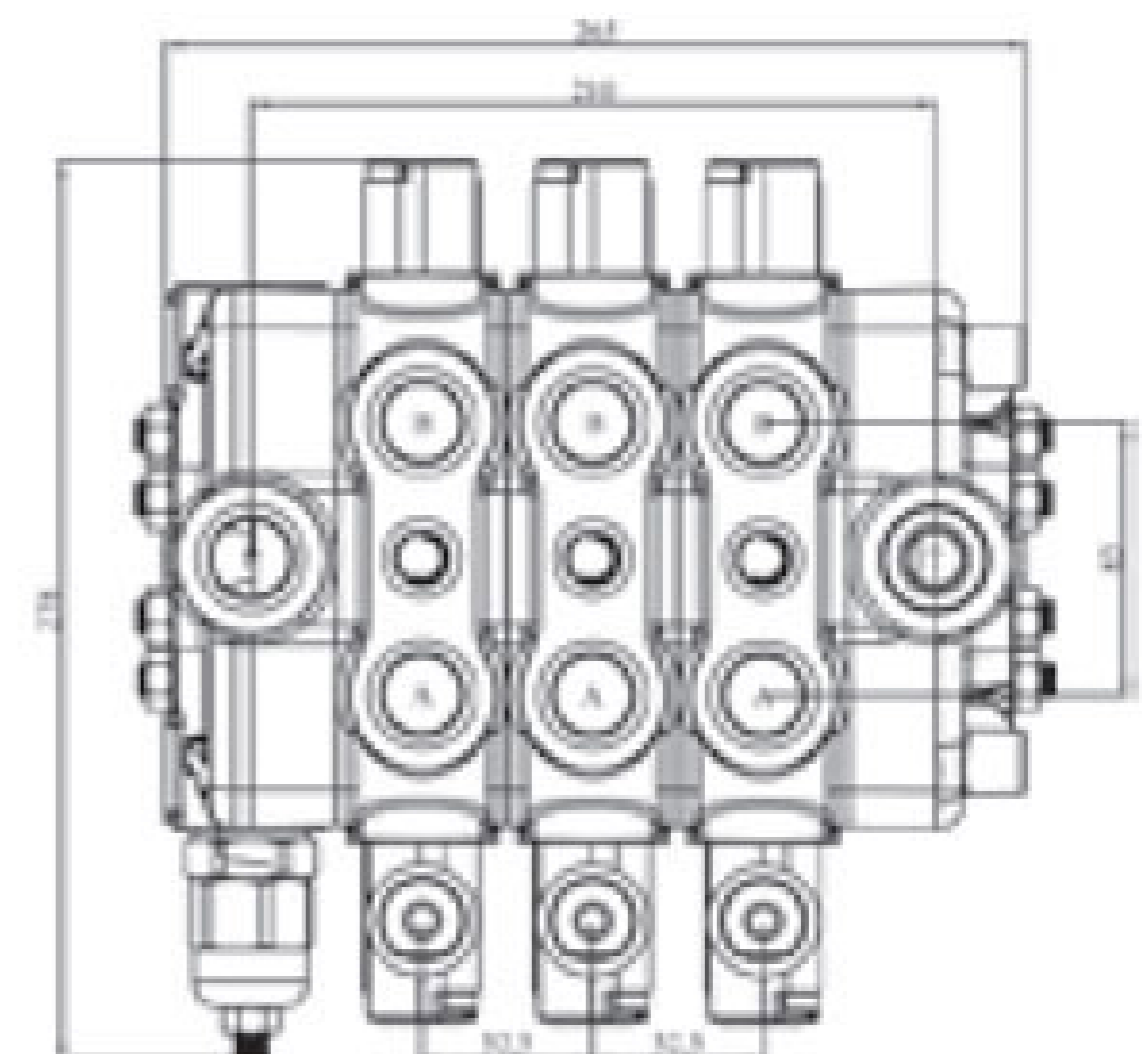
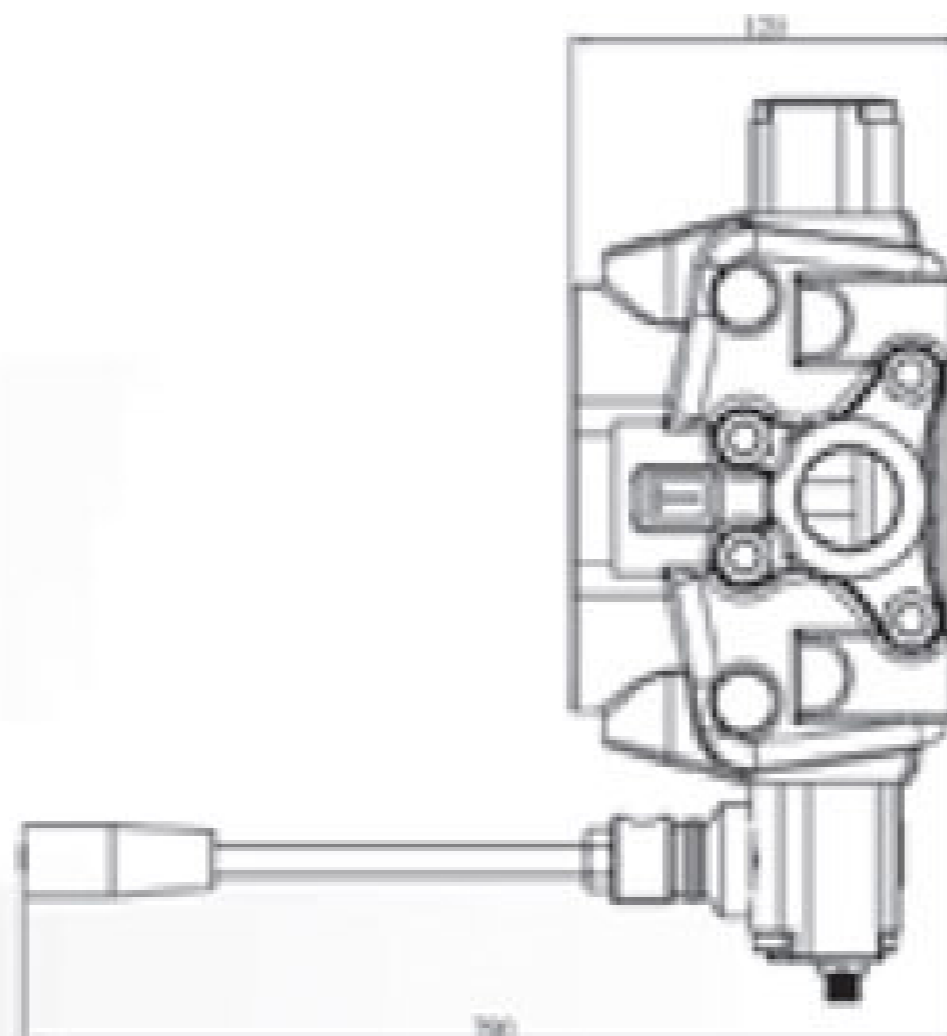


Product Code	2 C 150 D
Section	2
Displacement	150 lt./min
Maximum Working Pressure	320
Maximum Ret. Back Pressure	25
Recommended Oil Filter	Max 30 Micron
Kg.	19,41

Standart		
P	A-B	T
3/4"	3/4"	1"
1"	1"	1"

Parallel & Series Circuit - Adjustable
Direct Operated Relief Valve - Single /
Load Hold Check Valve in Each Section /
Single - Double Action / Carry Over

3 C 150 D

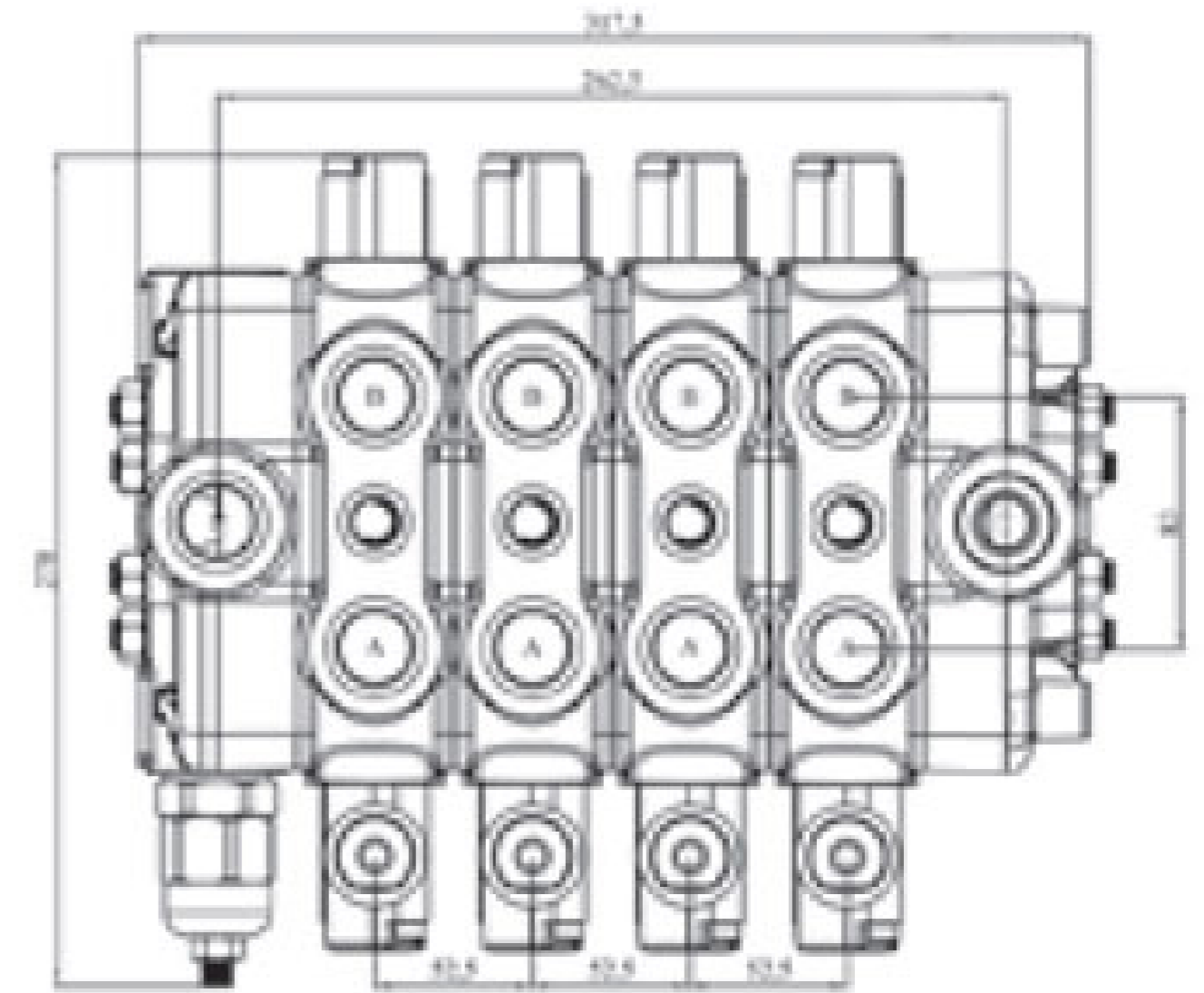
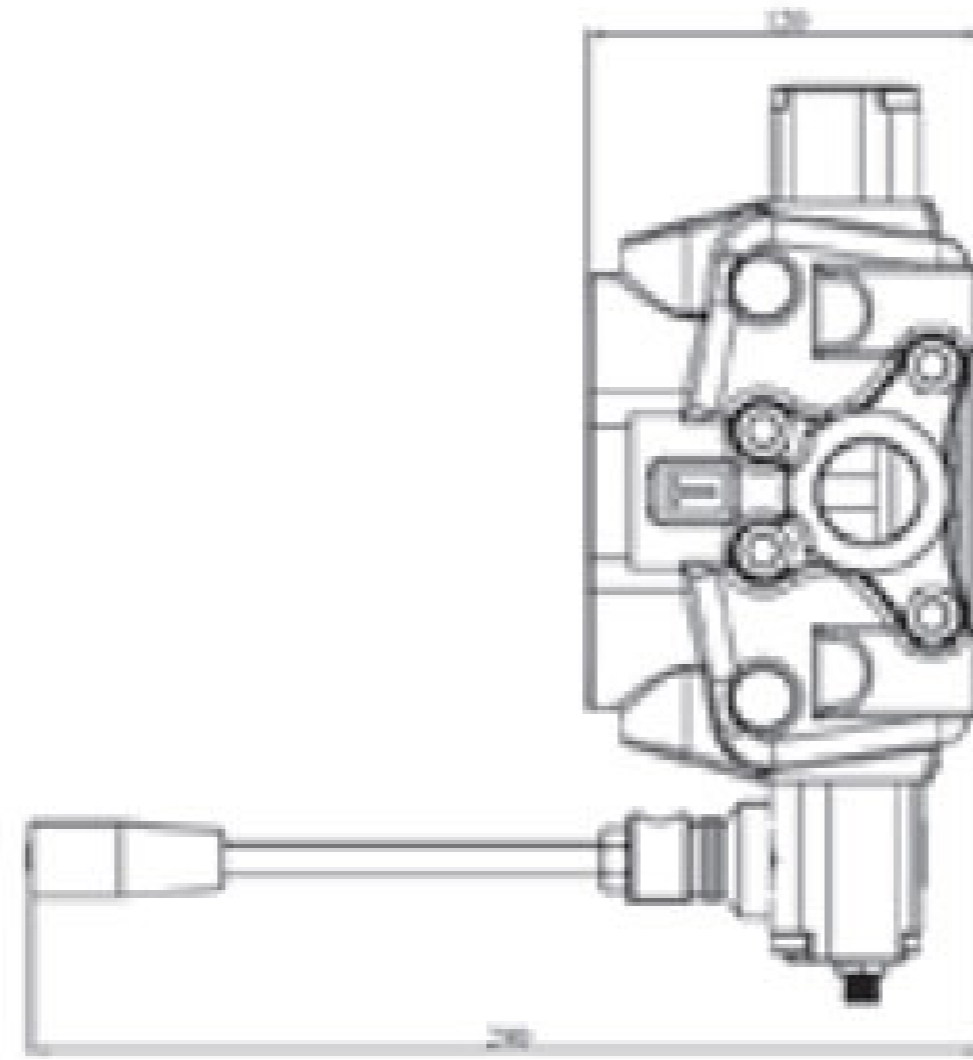


Product Code	3 C 150 D
Section	3
Displacement	150 lt./min
Maximum Working Pressure	320
Maximum Ret. Back Pressure	25
Recommended Oil Filter	Max 30 Micron
Kg.	25,81

Standart		
P	A-B	T
3/4"	3/4"	1"
1"	1"	1"

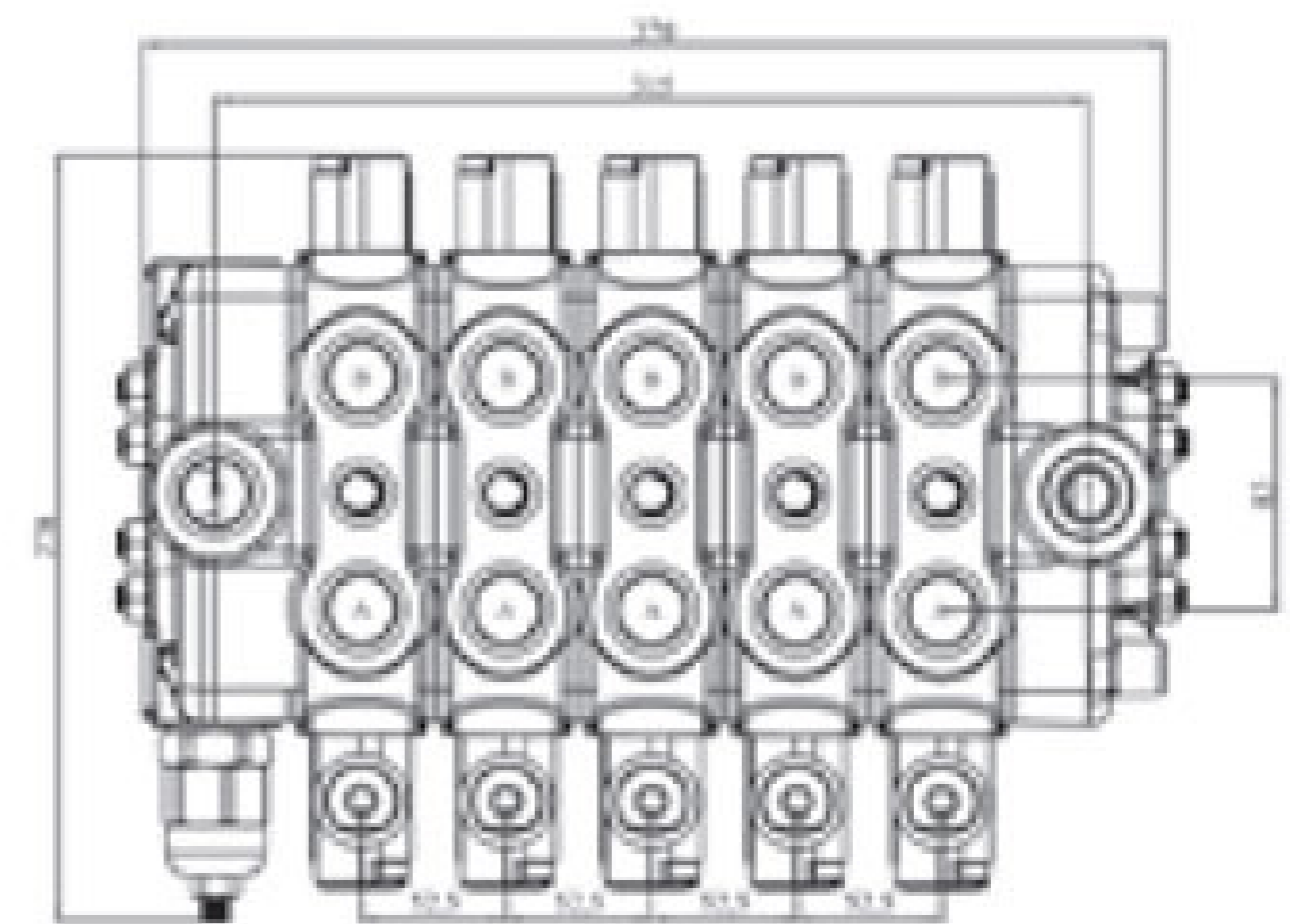
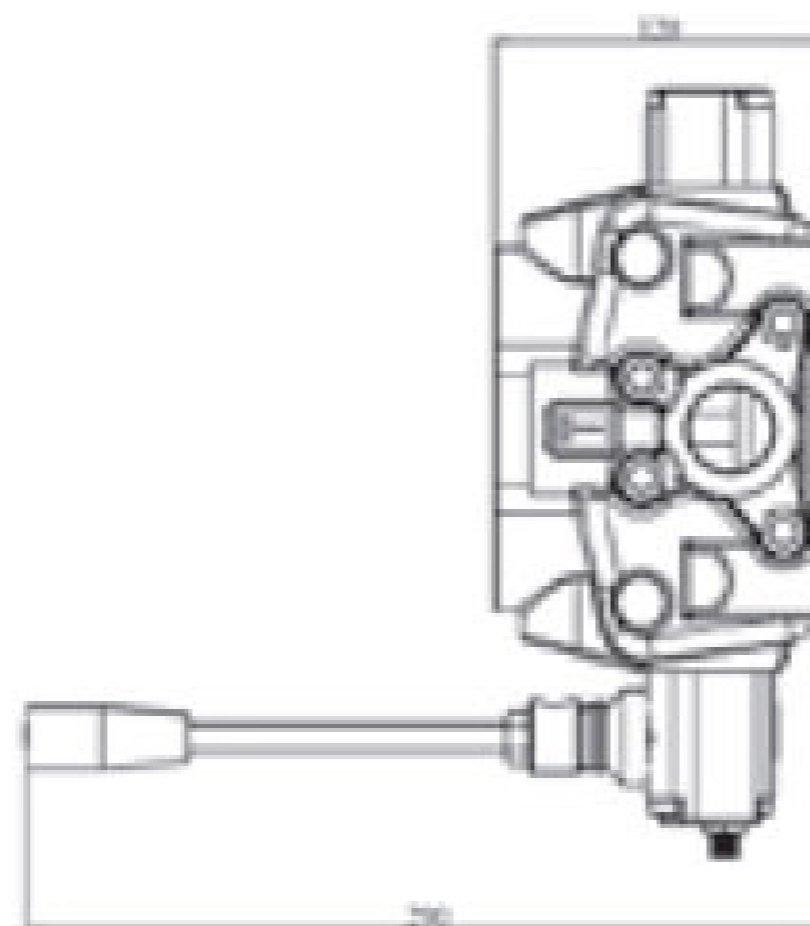
Parallel & Series Circuit - Adjustable
Direct Operated Relief Valve - Single /
Load Hold Check Valve in Each Section /
Single - Double Action / Carry Over

4 C 150 D



Product Code	4 C 150 D	Standart		
Section	4	P	A-B	T
Displacement	150 lt./min	3/4"	3/4"	1"
Maximum Working Pressure	320	1"	1"	1"
Maximum Ret. Back Pressure	25			
Recommended Oil Filter	Max 30 Micron	Parallel & Series Circuit - Adjustable Direct Operated Relief Valve - Single / Load Hold Check Valve in Each Section / Single - Double Action / Carry Over		
Kg.	32,21			

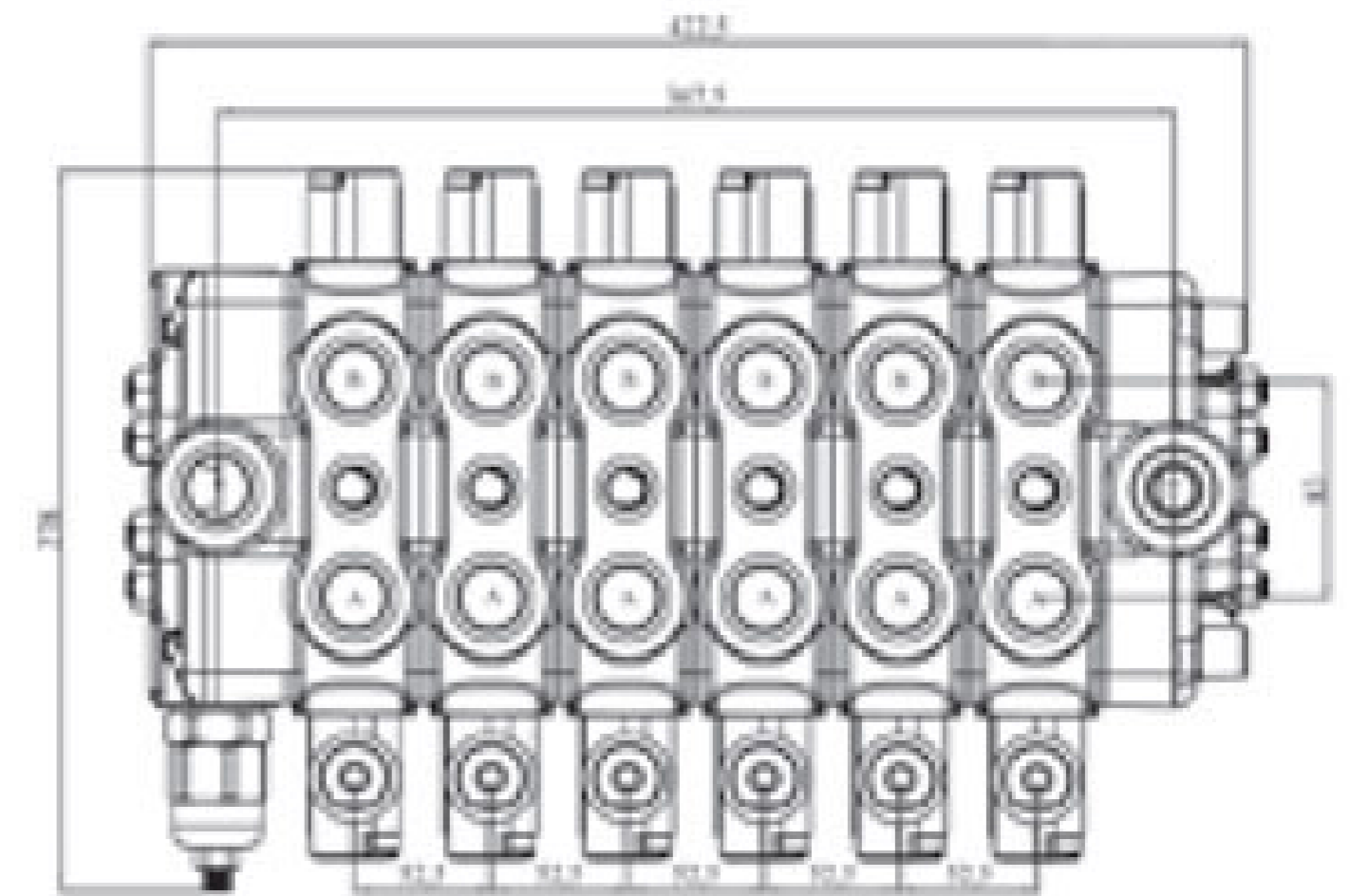
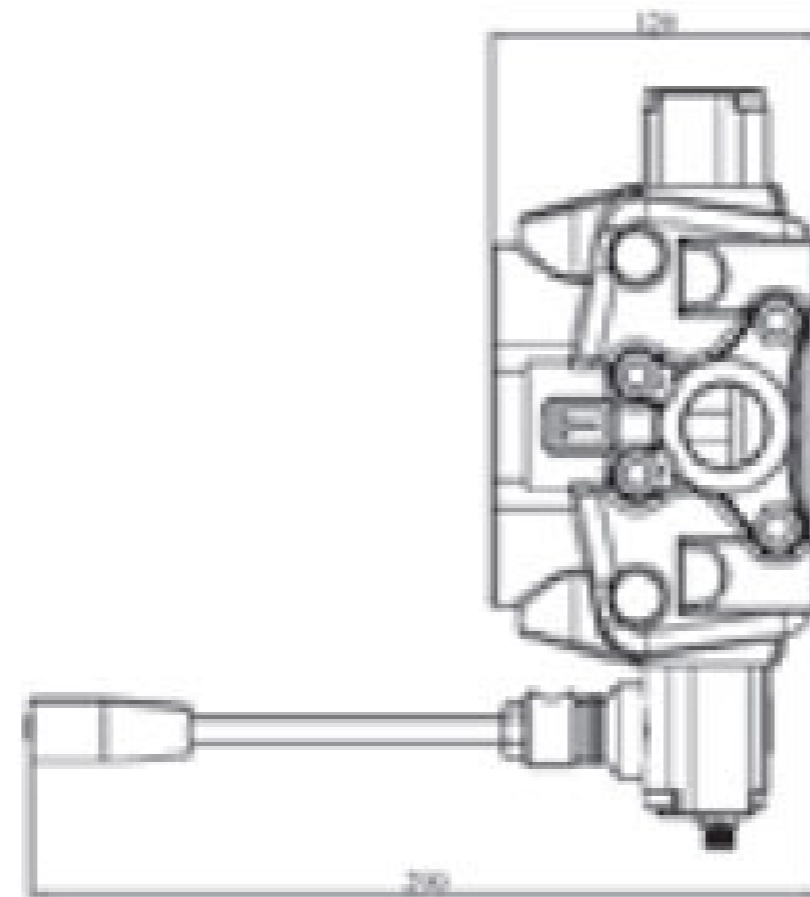
5 C 150 D



Product Code	5 C 150 D	Standart		
Section	5	P	A-B	T
Displacement	150 lt./min	3/4"	3/4"	1"
Maximum Working Pressure	320	1"	1"	1"
Maximum Ret. Back Pressure	25			
Recommended Oil Filter	Max 30 Micron	Parallel & Series Circuit - Adjustable Direct Operated Relief Valve - Single / Load Hold Check Valve in Each Section / Single - Double Action / Carry Over		
Kg.	38,61			

EKPART HYDRAULIC VALVE

6 C 150 D

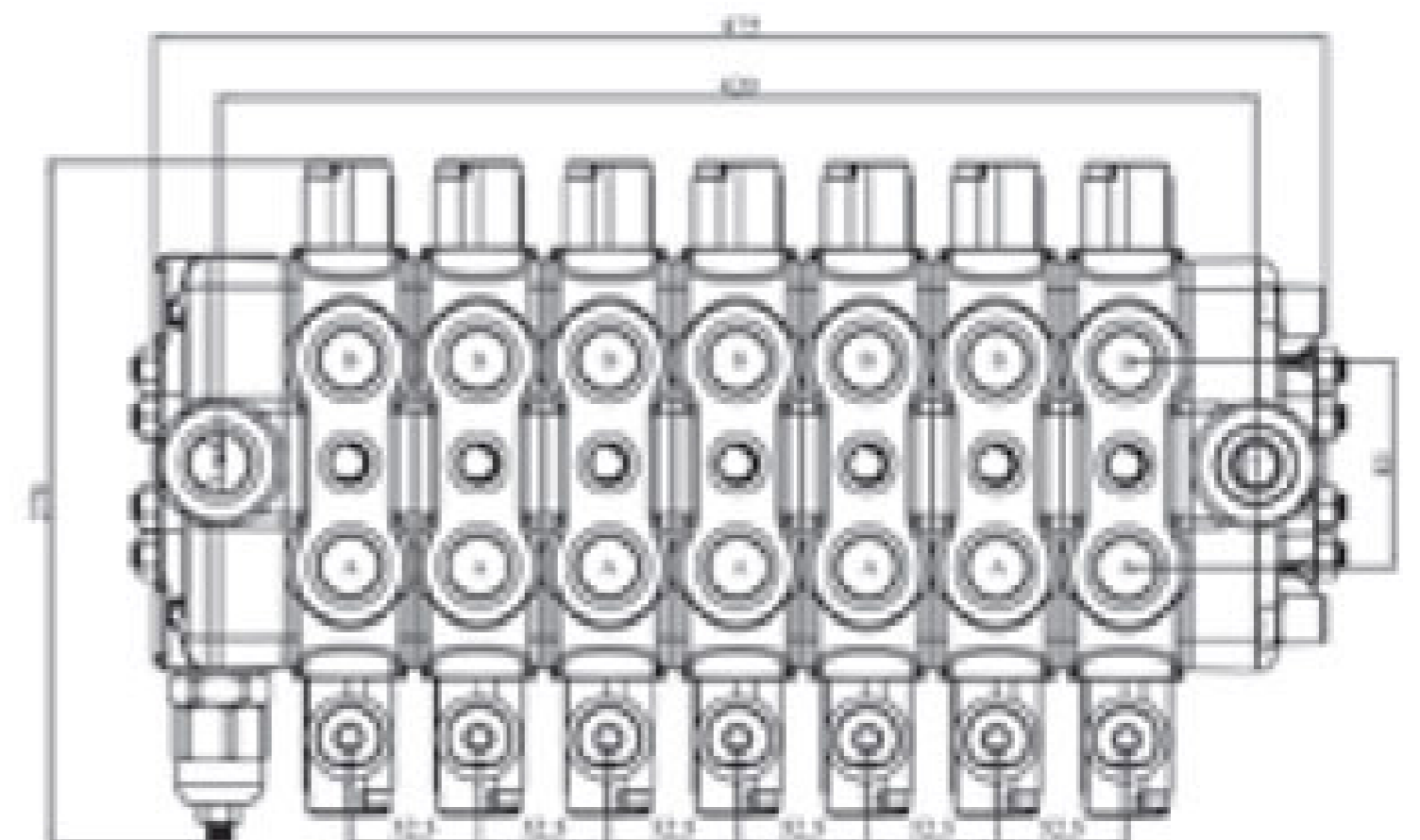
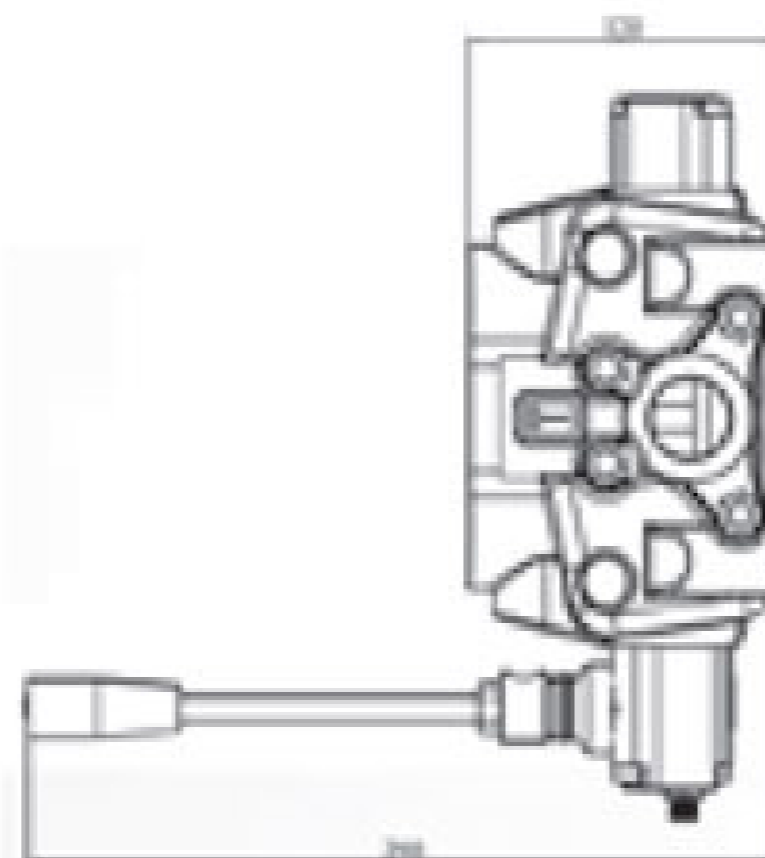


Product Code	6 C 150 D
Section	6
Displacement	150 lt./min
Maximum Working Pressure	320
Maximum Ret. Back Pressure	25
Recommended Oil Filter	Max 30 Micron
Kg.	45,01

Standart		
P	A-B	T
3/4"	3/4"	1"
1"	1"	1"

Parallel & Series Circuit - Adjustable
Direct Operated Relief Valve - Single /
Load Hold Check Valve in Each Section /
Single - Double Action / Carry Over

7 C 150 D

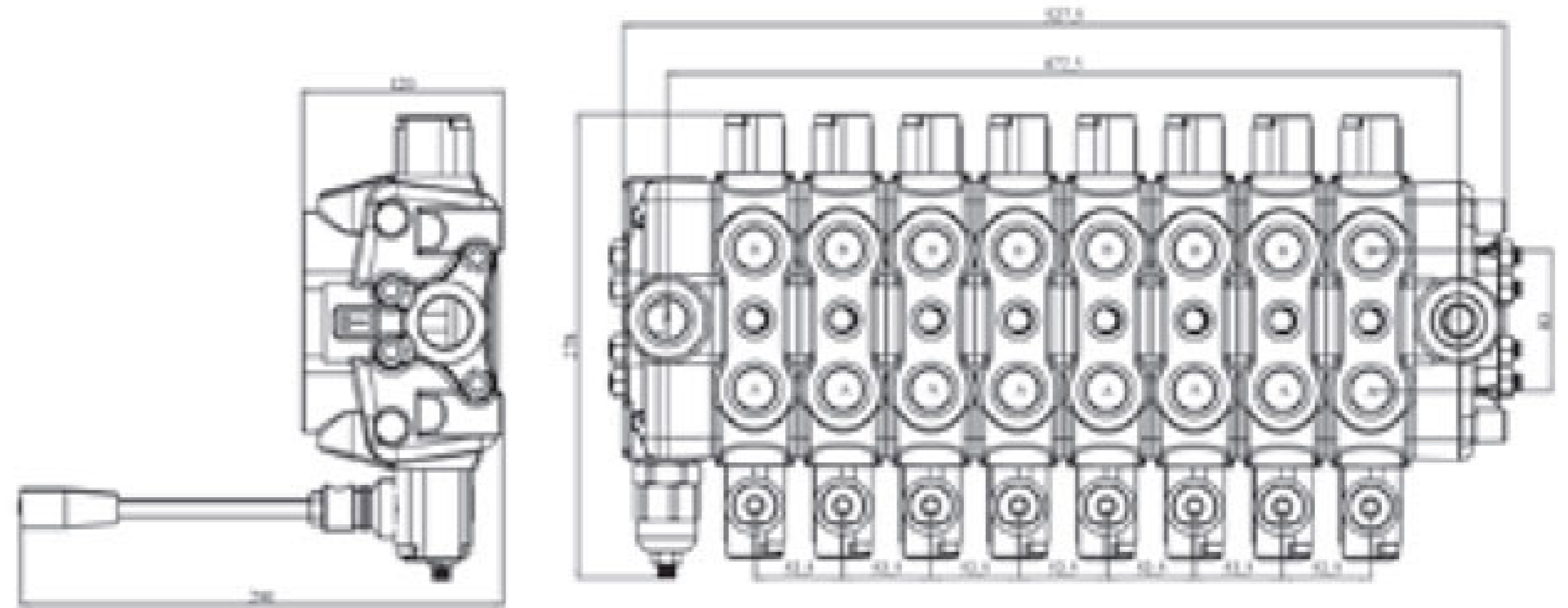


Product Code	7 C 150 D
Section	7
Displacement	150 lt./min
Maximum Working Pressure	320
Maximum Ret. Back Pressure	25
Recommended Oil Filter	Max 30 Micron
Kg.	51,41

Standart		
P	A-B	T
3/4"	3/4"	1"
1"	1"	1"

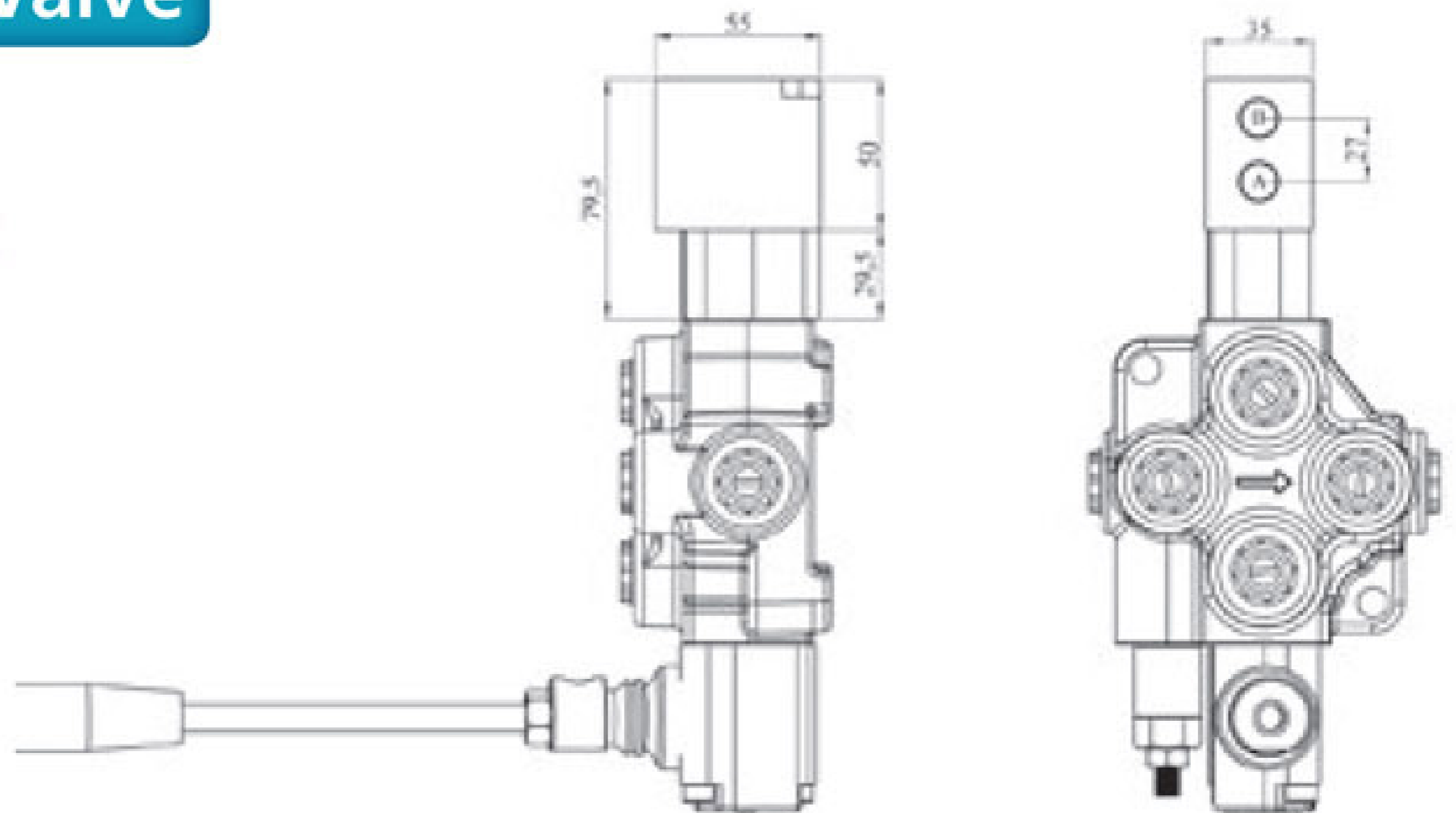
Parallel & Series Circuit - Adjustable
Direct Operated Relief Valve - Single /
Load Hold Check Valve in Each Section /
Single - Double Action / Carry Over

8 C 150 D



Product Code	8 C 150 D	Standart		
		P	A-B	T
Section	8	3/4"	3/4"	1"
Displacement	150 lt./min	1"	1"	1"
Maximum Working Pressure	320	Parallel & Series Circuit - Adjustable		
Maximum Ret. Back Pressure	25	Direct Operated Relief Valve - Single /		
Recommended Oil Filter	Max 30 Micron	Load Hold Check Valve in Each Section /		
Kg.	57,81	Single - Double Action / Carry Over		

Pneumatic Control Valve



Standart
A-B
1/4"
1"